
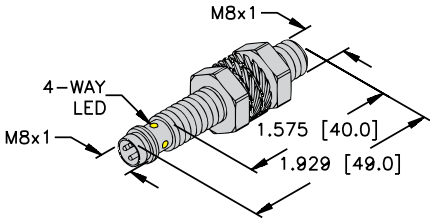
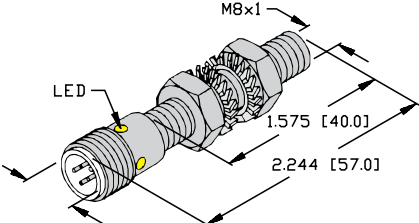
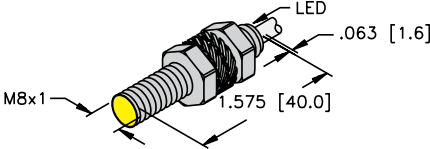
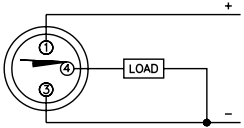
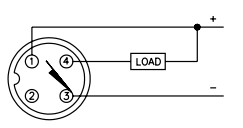
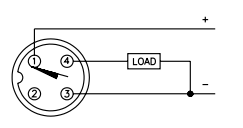
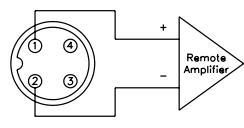
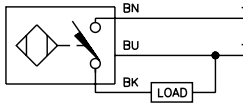


Specialty Sensors | Inductive Magnetic Sensors

Threaded Metal Barrels Designed to Sense a Magnetic Field

Housing Style	Dimension Drawings
	<p>A</p>  <p>8 mm - Barrel, M8 Picofast Connector</p>
<p>B</p>  <p>8 mm - Barrel, M12 Eurofast Connector</p>	<p>C</p>  <p>8 mm - Barrel, Potted-In Cable</p>

Wiring Diagrams/Mating Cordsets		
<p>1</p>  <p>Mating Cordset: PKG 3M-*</p>	<p>2</p>  <p>Mating Cordset: RK 4T-*</p>	<p>3</p>  <p>Mating Cordset: RK 4T-*</p>
<p>4</p>  <p>Mating Cordset: RK 4.21T-*</p>	<p>5</p> 	

A25	3-wire DC Magnetic Barrel (AP, AN)	
<p>Ripple: $\leq 10\%$</p> <p>Differential Travel (Hysteresis): 1-10%</p> <p>Voltage Drop Across Conducting Sensor: $\leq 1.8\text{ V}$</p> <p>Trigger Current for Short Circuit Protection: $\geq 220\text{ mA}$ on 200 mA Load Current $\geq 170\text{ mA}$ on 150 mA Load Current</p> <p>No-Load Current: $\leq 15\text{ mA}$</p> <p>Off-State (Leakage) Current: $\leq 0.1\text{ mA}$</p>	<p>Temperature Drift: $\leq \pm 15\%$</p> <p>Reverse Polarity Protection: Incorporated</p> <p>Wire-Break Protection: Incorporated</p> <p>Shock: 30 g, 11 ms</p> <p>Vibration: 55 Hz, 1 mm Amplitude, in all 3 Planes</p> <p>Repeatability: $\leq 0.3\%$ of Full Scale</p>	
A27	2-wire DC Namur Magnetic Barrel (Y1)	
<p>Differential Travel (Hysteresis): 1-10%</p> <p>Nominal Voltage: 8.2 VDC (EN60947-5-6)</p> <p>Load Resistance: 1000 Ω</p> <p>Non-activated Current Consumption: $\leq 1.2\text{ mA}$</p> <p>Activated Current Consumption: $\geq 2.1\text{ mA}$</p> <p>Recommended Switching Point for Remote Amplifier: > 1.2 to $< 2.1\text{ mA}$</p> <p>Amplifier: typ. 1.55 mA ON/1.75 mA OFF</p>	<p>Temperature Drift: $\leq \pm 10\%$</p> <p>Reverse Polarity Protection: Incorporated</p> <p>Wire-Break Protection: Realized in Amplifier</p> <p>Transient Protection: Realized in Amplifier</p> <p>Shock: 30 g, 11 ms</p> <p>Vibration: 55 Hz, 1 mm Amplitude, in all 3 Planes</p> <p>Repeatability: $\leq 0.3\%$ of Full Scale</p>	

Note:
Use with Turck actuation magnet to achieve longest switching distance.
See page I18 for part numbers and details.

We reserve the right to make technical alterations without prior notice.



Specialty Sensors | Inductive Magnetic Sensors

Threaded Metal Barrels Designed to Sense a Magnetic Field

Part Number/ ID Number	Features	Output	Voltage	Switching Freq. (Hz)	Operating Current (mA)	Operating Temp. (°C)	Protection	Housing	Face	Power LED	Output LED	Cable Length/Jacket	Dimension Drawings	Wiring Diagrams	Spec List
BIM-EG08-AP6X-V1131 4621314	Up to 78 mm Range	3-wire DC PNP	10-30 VDC	1000	≤150	-25 to +70	IP67	SS	PA 12	N/A	YE	--	A	1	A25
BIM-EG08-AN6X-H1341 4621301	Up to 78 mm Range	3-wire DC NPN	10-30 VDC	1000	≤150	-25 to +70	IP67	SS	PA 12	N/A	YE	--	B	2	A25
BIM-EG08-AP6X-H1341 4621311	Up to 78 mm Range	3-wire DC PNP	10-30 VDC	1000	≤150	-25 to +70	IP67	SS	PA 12	N/A	YE	--	B	3	A25
BIM-EG08-Y1X-H1341 1074001	Up to 78 mm Range	2-wire DC NAMUR	5-30 VDC	1000	Remote	-25 to +70	IP67	SS	PA 12	N/A	YE	--	B	4	A27
BIM-EG08-AP6X 4621310	Up to 78 mm Range	3-wire DC PNP	10-30 VDC	1000	≤150	-25 to +70	IP67	SS	PA 12	N/A	YE	2M/TPU	C	5	A25


We reserve the right to make technical alterations without prior notice.

Specialty Sensors



Specialty Sensors | Inductive Magnetic Sensors

Threaded Metal Barrels Designed to Sense a Magnetic Field

Housing Style	Dimension Drawings
	<p>A</p> <p>12 mm - M12 Eurofast Connector</p>
<p>B</p> <p>12 mm - Potted-In Cable</p>	<p>C</p> <p>18 mm - M12 Eurofast Connector</p>

Wiring Diagrams/Mating Cordsets			
<p>1</p> <p>Mating Cordset: RK 4T-*</p>	<p>2</p> <p>Mating Cordset: RK 4T-*, P-RKGV 4.43T-1699XL-*</p>	<p>3</p> <p>Mating Cordset: RK 4.21T-*</p>	<p>4</p>
<p>5</p>	<p>6</p>	<p>7</p>	

A25	3-wire DC Magnetic Barrel (AP, AN)	
<p>Ripple: $\leq 10\%$</p> <p>Differential Travel (Hysteresis): 1-10%</p> <p>Voltage Drop Across Conducting Sensor: $\leq 1.8\text{ V}$</p> <p>Trigger Current for Short Circuit Protection: $\geq 220\text{ mA}$ on 200 mA Load Current $\geq 170\text{ mA}$ on 150 mA Load Current</p> <p>No-Load Current: $\leq 15\text{ mA}$</p> <p>Off-State (Leakage) Current: $\leq 0.1\text{ mA}$</p>	<p>Temperature Drift: $\leq \pm 15\%$</p> <p>Reverse Polarity Protection: Incorporated</p> <p>Wire-Break Protection: Incorporated</p> <p>Shock: 30 g, 11 ms</p> <p>Vibration: 55 Hz, 1 mm Amplitude, in all 3 Planes</p> <p>Repeatability: $\leq 0.3\%$ of Full Scale</p>	

A26	2-wire DC Magnetic Barrel (AG)	
<p>Ripple: $\leq 10\%$</p> <p>Differential Travel (Hysteresis): 1-10%</p> <p>Voltage Drop Across Conducting Sensor: $\leq 4.2\text{ V}$ Polarized</p> <p>Trigger Current for Short Circuit Protection: $\geq 220\text{ mA}$ on 200 mA Load Current</p> <p>Minimum Load Current: $\geq 3.0\text{ mA}$</p>	<p>Temperature Drift: $\leq \pm 15\%$</p> <p>Off-State (Leakage) Current: $\leq 0.8\text{ mA}$</p> <p>Shock: 30 g, 11 ms</p> <p>Vibration: 55 Hz, 1 mm Amplitude, in all 3 Planes</p> <p>Repeatability: $\leq 0.3\%$ of Full Scale</p>	

A27	2-wire DC Namur Magnetic Barrel (Y1)	
<p>Differential Travel (Hysteresis): 1-10%</p> <p>Nominal Voltage: 8.2 VDC (EN60947-5-6)</p> <p>Load Resistance: 1000 Ω</p> <p>Non-activated Current Consumption: $\leq 1.2\text{ mA}$</p> <p>Activated Current Consumption: $\geq 2.1\text{ mA}$</p> <p>Recommended Switching Point for Remote Amplifier: > 1.2 to $< 2.1\text{ mA}$, typ. 1.55 mA ON/1.75 mA OFF</p>	<p>Temperature Drift: $\leq \pm 10\%$</p> <p>Reverse Polarity Protection: Incorporated</p> <p>Wire-Break Protection: Realized in Amplifier</p> <p>Transient Protection: Realized in Amplifier</p> <p>Shock: 30 g, 11 ms</p> <p>Vibration: 55 Hz, 1 mm Amplitude, in all 3 Planes</p> <p>Repeatability: $\leq 0.3\%$ of Full Scale</p>	

Note:
 Use with Turck actuation magnet to achieve longest switching distance.
 See page I18 for part numbers and details.

We reserve the right to make technical alterations without prior notice.



Specialty Sensors | Inductive Magnetic Sensors

Threaded Metal Barrels Designed to Sense a Magnetic Field

Part Number/ ID Number	Features	Output	Voltage	Switching Freq. (Hz)	Operating Current (mA)	Operating Temp. (°C)	Protection	Housing	Face	Power LED	Output LED	Dimension Drawings	Wiring Diagrams	Spec List
BIM-M12E-AN4X-H1141 1579914	Up to 90 mm Range	3-wire DC NPN	10-65 VDC	1000	≤200	-25 to +70	IP67	CPB	PA 12	N/A	YE	A	1	A25
BIM-EM12E-AP4X-H1141 1579915	Up to 90 mm Range	3-wire DC PNP	10-65 VDC	1000	≤200	-25 to +70	IP67	SS	POM	N/A	YE	A	2	A25
BIM-M12E-AP4X-H1141 1579913	Up to 90 mm Range	3-wire DC PNP	10-65 VDC	1000	≤200	-25 to +70	IP67	CPB	PA 12	N/A	YE	A	2	A25
BIM-M12E-AP6X-H1141/S1751 4681289	FM Approved	3-wire DC PNP	10-30 VDC	1000	≤200	-25 to +70	IP67	CPB	PA 12	N/A	YE	A	2	A25
BIM-M12E-Y1X-H1141 1074003	Up to 90 mm Range	2-wire DC NAMUR	5-30 VDC	1000	Remote	-25 to +70	IP67	CPB	PA 12	N/A	YE	A	3	A27
BIM-M12E-AG4X 44302	Up to 90 mm Range	2-wire DC	10-65 VDC	1000	≤100	-25 to +70	IP67	CPB	PA 12	N/A	YE	B	4	A26
BIM-M12E-AN4X 1579912	Up to 90 mm Range	3-wire DC PNP	10-65 VDC	1000	≤200	-25 to +70	IP67	CPB	PA 12	N/A	YE	B	5	A25
BIM-EM12E-AP4X 1579918	Up to 90 mm Range	3-wire DC PNP	10-65 VDC	1000	≤200	-25 to +70	IP67	SS	POM	N/A	YE	B	6	A25
BIM-M12E-AP4X/S90 1579911	Up to 90 mm Range	3-wire DC PNP	10-65 VDC	1000	≤200	-25 to +70	IP67	CPB	PA 12	N/A	YE	B	6	A25
BIM-EM12E-Y1X 1070036	Up to 90 mm Range	2-wire DC NAMUR	5-30 VDC	1000	Remote	-25 to +70	IP67	SS	POM	N/A	YE	B	7	A27
BIM-M12E-Y1X 1074002	Up to 90 mm Range	2-wire DC NAMUR	5-30 VDC	1000	Remote	-25 to +70	IP67	CPB	PA 12	N/A	YE	B	7	A27
BIM-EM18M-AP4X-H1141 1579933	Up to 90 mm Range	3-wire DC PNP	10-65 VDC	1000	≤200	-25 to +70	IP67	SS	POM	N/A	YE	C	2	A25

We reserve the right to make technical alterations without prior notice.

Specialty Sensors

