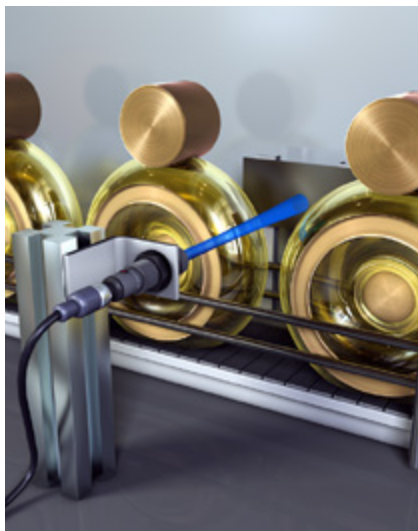
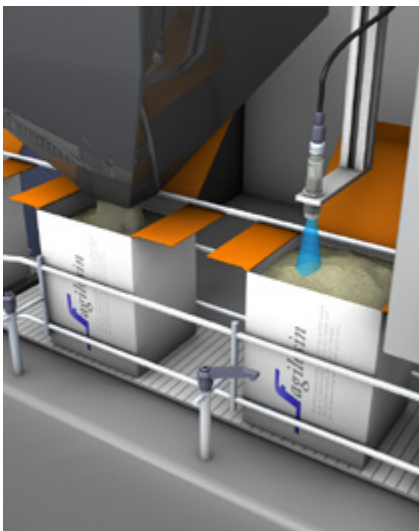


/ ULTRASONIC DISTANCE SENSORS

WHEN LIGHT ISN'T ENOUGH

With ultrasonic technology, it is possible to reliably detect even partially or completely transparent objects and to perform reliable distance measurements. In addition, measurements can be performed in dusty, hazy or humid environments.



/// 318 series



Optimum integration into cylindrical, standard or short design. The plastic housing and temperature compensation make use possible under adverse conditions.



Benefits:

- Color and transmission independent detection of objects
- Current or voltage output configurable via cable or teach button
- Also available with combined analog and digital output
- To avoid mutual interference, max. 6 sensors may be synchronized via one cable
- Independent indicator diodes in devices with 2 switching outputs
- An additional diode as an indicator for the detection range simplifies installation
- Sensor configuration is unnecessary due to internal synchronization and multiplex function
- Operating range up to 1,600 mm



Direct access to the online product selector at www.leuze.com/en/br318

Switching sensors

Measuring sensors

Part no.	Part description	Measurement range	Digital switching output	Analog output	Switching frequency	Resolution	Description
50136073	DMU318-300/CT-M12	40 ... 300 mm		Current		< 2 mm	Teach input, connector, M12, 4-pin
50136072	DMU318-300/VT-M12	40 ... 300 mm		Voltage		< 2 mm	Teach input, connector, M12, 4-pin
50136087	DMU318-400.3/2CK-M12	50 ... 400 mm	Transistor, NPN, NO (normally open)	Current	10 Hz	< 2 mm	Inputs/outputs: 1; Operational controls: control buttons, connector, M12, 5-pin
50136085	DMU318-400.3/2VK-M12	50 ... 400 mm	Transistor, NPN, NO (normally open)	Voltage	10 Hz	< 2 mm	Inputs/outputs: 1; Operational controls: control buttons, connector, M12, 5-pin
50136086	DMU318-400.3/4CK-M12	50 ... 400 mm	Transistor, PNP, NO (normally open)	Current	10 Hz	< 2 mm	Inputs/outputs: 1; Operational controls: control buttons, connector, M12, 5-pin
50136084	DMU318-400.3/4VK-M12	50 ... 400 mm	Transistor, PNP, NO (normally open)	Voltage	10 Hz	< 2 mm	Inputs/outputs: 1; Operational controls: control buttons, connector, M12, 5-pin
50136103	DMU318-400.W3/2CK-M12	50 ... 400 mm	Transistor, NPN, NO (normally open)	Current	10 Hz	< 2 mm	Inputs/outputs: 1; Operational controls: control buttons, connector, M12, 5-pin
50136101	DMU318-400.W3/2VK-M12	50 ... 400 mm	Transistor, NPN, NO (normally open)	Voltage	10 Hz	< 2 mm	Inputs/outputs: 1; Operational controls: control buttons, connector, M12, 5-pin
50136102	DMU318-400.W3/4CK-M12	50 ... 400 mm	Transistor, PNP, NO (normally open)	Current	10 Hz	< 2 mm	Inputs/outputs: 1; Operational controls: control buttons, connector, M12, 5-pin
50136100	DMU318-400.W3/4VK-M12	50 ... 400 mm	Transistor, PNP, NO (normally open)	Voltage	10 Hz	< 2 mm	Inputs/outputs: 1; Operational controls: control buttons, connector, M12, 5-pin
50136077	DMU318-1200/CT-M12	80 ... 1,200 mm		Current		< 2 mm	Teach input, connector, M12, 4-pin
50136076	DMU318-1200/VT-M12	80 ... 1,200 mm		Voltage		< 2 mm	Teach input, connector, M12, 4-pin
50136093	DMU318-1600.3/2CK-M12	150 ... 1,600 mm	Transistor, NPN, NO (normally open)	Current	2 Hz	< 2 mm	Inputs/outputs: 1; Operational controls: control buttons, connector, M12, 5-pin
50136091	DMU318-1600.3/2VK-M12	150 ... 1,600 mm	Transistor, NPN, NO (normally open)	Voltage	2 Hz	< 2 mm	Inputs/outputs: 1; Operational controls: control buttons, connector, M12, 5-pin
50136092	DMU318-1600.3/4CK-M12	150 ... 1,600 mm	Transistor, PNP, NO (normally open)	Current	2 Hz	< 2 mm	Inputs/outputs: 1; Operational controls: control buttons, connector, M12, 5-pin
50136090	DMU318-1600.3/4VK-M12	150 ... 1,600 mm	Transistor, PNP, NO (normally open)	Voltage	2 Hz	< 2 mm	Inputs/outputs: 1; Operational controls: control buttons, connector, M12, 5-pin
50136109	DMU318-1600.W3/2CK-M12	150 ... 1,600 mm	Transistor, NPN, NO (normally open)	Current	2 Hz	< 2 mm	Inputs/outputs: 1; Operational controls: control buttons, connector, M12, 5-pin
50136107	DMU318-1600.W3/2VK-M12	150 ... 1,600 mm	Transistor, NPN, NO (normally open)	Voltage	2 Hz	< 2 mm	Inputs/outputs: 1; Operational controls: control buttons, connector, M12, 5-pin
50136108	DMU318-1600.W3/4CK-M12	150 ... 1,600 mm	Transistor, PNP, NO (normally open)	Current	2 Hz	< 2 mm	Inputs/outputs: 1; Operational controls: control buttons, connector, M12, 5-pin
50136106	DMU318-1600.W3/4VK-M12	150 ... 1,600 mm	Transistor, PNP, NO (normally open)	Voltage	2 Hz	< 2 mm	Inputs/outputs: 1; Operational controls: control buttons, connector, M12, 5-pin

Products for safety at work

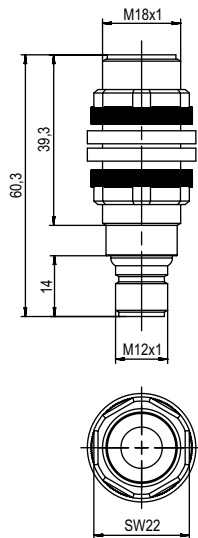
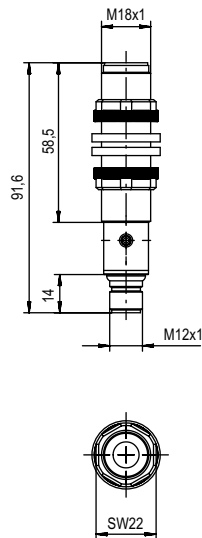
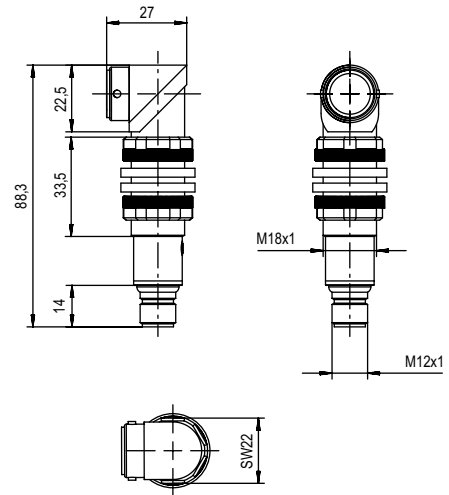
Identification

Data transmission/ Control components

Industrial image processing

Accessories



Dimensioned drawings: 318 series

 DMU 318
ultrasonic distance sensor

 DMU 318 with control button
ultrasonic distance sensor

 DMU 318...W with control button
ultrasonic distance sensor

ACCESSORIES: 318 SERIES

Connection technology

Connection cables

Part no.	Part description	Connection 1	No. of pins	Cable length	Sheathing material
50130654	KD U-M12-4A-P1-020	Connector, M12, axial, female	4-pin	2,000 mm	PUR
50130692	KD U-M12-4W-P1-020	Connector, M12, angled, female	4-pin	2,000 mm	PUR
50133839	KD U-M12-5A-P1-020	Connector, M12, axial, female	5-pin	2,000 mm	PUR
50132536	KD U-M12-5W-P1-020	Connector, M12, angled, female	5-pin	2,000 mm	PUR
50130657	KD U-M12-4A-P1-050	Connector, M12, axial, female	4-pin	5,000 mm	PUR
50130694	KD U-M12-4W-P1-050	Connector, M12, angled, female	4-pin	5,000 mm	PUR
50133841	KD U-M12-5A-P1-050	Connector, M12, axial, female	5-pin	5,000 mm	PUR
50132537	KD U-M12-5W-P1-050	Connector, M12, angled, female	5-pin	5,000 mm	PUR
50130648	KD U-M12-4A-V1-020	Connector, M12, axial, female	4-pin	2,000 mm	PVC
50130688	KD U-M12-4W-V1-020	Connector, M12, angled, female	4-pin	2,000 mm	PVC
50132077	KD U-M12-5A-V1-020	Connector, M12, axial, female	5-pin	2,000 mm	PVC
50133842	KD U-M12-5W-V1-020	Connector, M12, angled, female	5-pin	2,000 mm	PVC
50130652	KD U-M12-4A-V1-050	Connector, M12, axial, female	4-pin	5,000 mm	PVC
50130690	KD U-M12-4W-V1-050	Connector, M12, angled, female	4-pin	5,000 mm	PVC
50132079	KD U-M12-5A-V1-050	Connector, M12, axial, female	5-pin	5,000 mm	PVC
50133802	KD U-M12-5W-V1-050	Connector, M12, angled, female	5-pin	5,000 mm	PVC

Further connection cables can be found on our website

Mounting systems

Mounting bracket

Part no.	Part description	Design	Fastening at device	Fastening at system	Material
50113548	BT D18M.5	Angle, L-shape	Screw type	Through-hole mounting	Stainless steel

Further mounting brackets can be found on our website

Rod mounts

Part no.	Part description	Design	Fastening at device	Fastening at system	Material
50117490	BTU D18M-D12	Mounting system, clampable, adjustable, turnable, 360°	Screw type	Through-hole mounting	Metal

Further rod mounts can be found on our website

/// 330 series



The new M30 models in plastic housing provide high measurement accuracy through propagation time measurement. They are much more compact and ideal for the detection of objects independent of their color (e. g. glass, liquid and film). In addition the integrated temperature compensation ensures high measurement accuracy for optimum results.



Benefits:

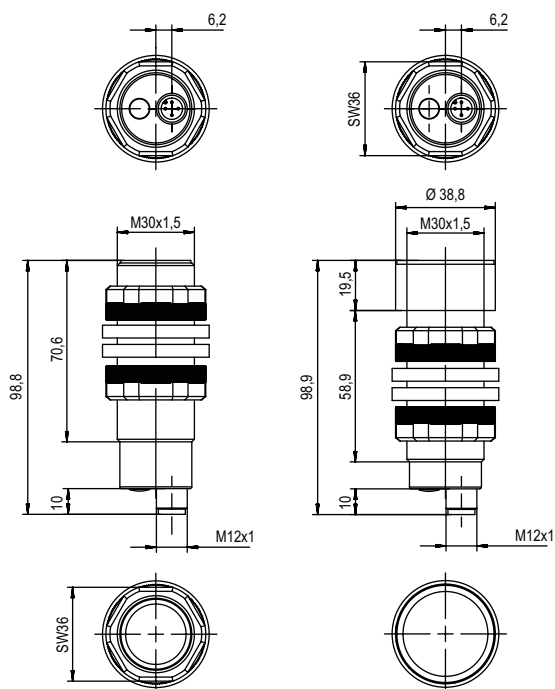
- Ideal for detection of levels of liquids, bulk material, transparent media and highly reflective objects
- Distance information largely independent of surface properties
- Current or voltage output configurable via teach button
- Also available with combined analog and digital output
- To avoid mutual interference, any number of sensors may be synchronized via one cable
- Independent indicator diodes
- An additional diode as an indicator for the detection range simplifies installation
- High accuracy through temperature compensation
- Operating range up to 6,000 mm



Direct access to the online product selector at www.leuze.com/en/br330

Part no.	Part description	Measurement range	Digital switching output	Analog output	Switching frequency	Resolution	Description
50136115	DMU330-3500.3/2CK-M12	250 ... 3,500 mm	Transistor, NPN, NO (normally open)	Current	2 Hz	5 mm	Inputs/outputs: 1; Operational controls: control buttons, connector, M12, 5-pin
50136113	DMU330-3500.3/2VK-M12	250 ... 3,500 mm	Transistor, NPN, NO (normally open)	Voltage	2 Hz	5 mm	Inputs/outputs: 1; Operational controls: control buttons, connector, M12, 5-pin
50136114	DMU330-3500.3/4CK-M12	250 ... 3,500 mm	Transistor, PNP, NO (normally open)	Current	2 Hz	5 mm	Inputs/outputs: 1; Operational controls: control buttons, connector, M12, 5-pin
50136112	DMU330-3500.3/4VK-M12	250 ... 3,500 mm	Transistor, PNP, NO (normally open)	Voltage	2 Hz	5 mm	Inputs/outputs: 1; Operational controls: control buttons, connector, M12, 5-pin
50136117	DMU330-6000.3/4CK-M12	350 ... 6,000 mm	Transistor, PNP, NO (normally open)	Current	1 Hz	6 mm	Inputs/outputs: 1; Operational controls: control buttons, connector, M12, 5-pin

Dimensioned drawings: 330 series



DMU 330 ultrasonic distance sensor

Switching sensors

Measuring sensors

Products for safety at work

Identification

Data transmission / Control components

Industrial image processing

Accessories



ACCESSORIES: 330 SERIES

Connection technology

Connection cables

Part no.	Part description	Connection 1	No. of pins	Cable length	Sheathing material
50133839	KD U-M12-5A-P1-020	Connector, M12, axial, female	5-pin	2,000 mm	PUR
50132536	KD U-M12-5W-P1-020	Connector, M12, angled, female	5-pin	2,000 mm	PUR
50133841	KD U-M12-5A-P1-050	Connector, M12, axial, female	5-pin	5,000 mm	PUR
50132537	KD U-M12-5W-P1-050	Connector, M12, angled, female	5-pin	5,000 mm	PUR
50132077	KD U-M12-5A-V1-020	Connector, M12, axial, female	5-pin	2,000 mm	PVC
50133842	KD U-M12-5W-V1-020	Connector, M12, angled, female	5-pin	2,000 mm	PVC
50132079	KD U-M12-5A-V1-050	Connector, M12, axial, female	5-pin	5,000 mm	PVC
50133802	KD U-M12-5W-V1-050	Connector, M12, angled, female	5-pin	5,000 mm	PVC

Further connection cables can be found on our website

Mounting systems

Mounting bracket

Part no.	Part description	Design	Fastening at device	Fastening at system	Material
50113510	BT D30M.5	Angle, L-shape	Screw type	Through-hole mounting	Stainless steel

Further mounting brackets can be found on our website

/// 418 series



With its small, cylindrical design, this ultrasonic distance sensor can be integrated problem-free. The full-metal housing and temperature compensation make use possible under adverse conditions.



Benefits:

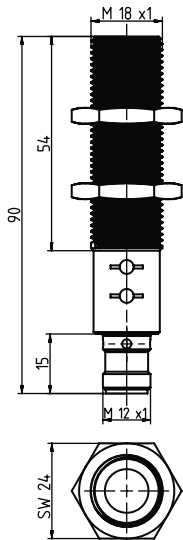
- Color and transmission independent detection of objects
- Current or voltage output configurable via PC software
- To avoid mutual interference, max. 10 sensors may be synchronized via one cable
- Sensitivity, average value calculation, reduction of the response time and outputs configurable via IO-Link
- Teach button



Direct access to the online product selector at www.leuze.com/en/br418mu

Part no.	Part description	Measurement range	Digital switching output	Analog output	Interface	Switching frequency	Resolution	Description
50124260	DMU418B-400.X3/LTC-M12	25 ... 400 mm	Transistor, push-pull, break-contact/make-contact	Current	IO-Link	7 Hz	1.0 mm	Inputs/outputs: 1; Operational controls: control buttons, connector, M12, 5-pin
50124261	DMU418B-400.X3/LTV-M12	25 ... 400 mm	Transistor, push-pull, break-contact/make-contact	Voltage	IO-Link	7 Hz	1.0 mm	Inputs/outputs: 1; Operational controls: control buttons, connector, M12, 5-pin
50124263	DMU418B-1300.X3/LTC-M12	150 ... 1,300 mm	Transistor, push-pull, break-contact/make-contact	Current	IO-Link	8 Hz	1.0 mm	Inputs/outputs: 1; Operational controls: control buttons, connector, M12, 5-pin
50124264	DMU418B-1300.X3/LTV-M12	150 ... 1,300 mm	Transistor, push-pull, break-contact/make-contact	Voltage	IO-Link	8 Hz	1.0 mm	Inputs/outputs: 1; Operational controls: control buttons, connector, M12, 5-pin

Dimensioned drawings: 418 series



DMU 418B ultrasonic distance sensor

Switching sensors

Measuring sensors

ACCESSORIES: 418 SERIES

Connection technology

Connection cables

Part no.	Part description	Connection 1	No. of pins	Cable length	Sheathing material
50133839	KD U-M12-5A-P1-020	Connector, M12, axial, female	5-pin	2,000 mm	PUR
50132536	KD U-M12-5W-P1-020	Connector, M12, angled, female	5-pin	2,000 mm	PUR
50133841	KD U-M12-5A-P1-050	Connector, M12, axial, female	5-pin	5,000 mm	PUR
50132537	KD U-M12-5W-P1-050	Connector, M12, angled, female	5-pin	5,000 mm	PUR
50132077	KD U-M12-5A-V1-020	Connector, M12, axial, female	5-pin	2,000 mm	PVC
50133842	KD U-M12-5W-V1-020	Connector, M12, angled, female	5-pin	2,000 mm	PVC
50132079	KD U-M12-5A-V1-050	Connector, M12, axial, female	5-pin	5,000 mm	PVC
50133802	KD U-M12-5W-V1-050	Connector, M12, angled, female	5-pin	5,000 mm	PVC

Further connection cables can be found on our website

Products for safety at work

Identification

Mounting systems

Mounting bracket

Part no.	Part description	Design	Fastening at device	Fastening at system	Material
50113548	BT D18M.5	Angle, L-shape	Screw type	Through-hole mounting	Stainless steel

Further mounting brackets can be found on our website

Data transmission / Control components

Rod mounts

Part no.	Part description	Design	Fastening at device	Fastening at system	Material
50117490	BTU D18M-D12	Mounting system, clampable, adjustable, turnable, 360°	Screw type	Through-hole mounting	Metal

Further rod mounts can be found on our website

Industrial image processing

Accessories



/// 430 series



The new M30 models in metal housing are much more compact and ideal for detecting levels of liquids and bulk material. High accuracy through temperature compensation.



Benefits:

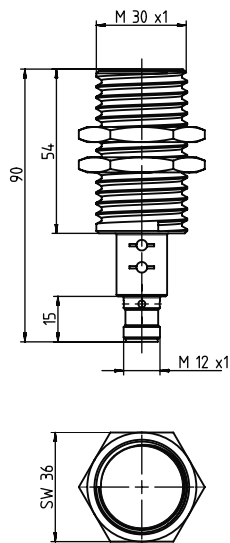
- Ideal for detection of levels of liquids, bulk material, transparent media and highly reflective objects
- Distance information largely independent of surface properties
- Current or voltage output and a switching output configurable via PC software
- To avoid mutual interference, max. 10 sensors may be synchronized via one cable
- Sensitivity, average value calculation, reduction of the response time and outputs configurable via IO-Link
- Teach button



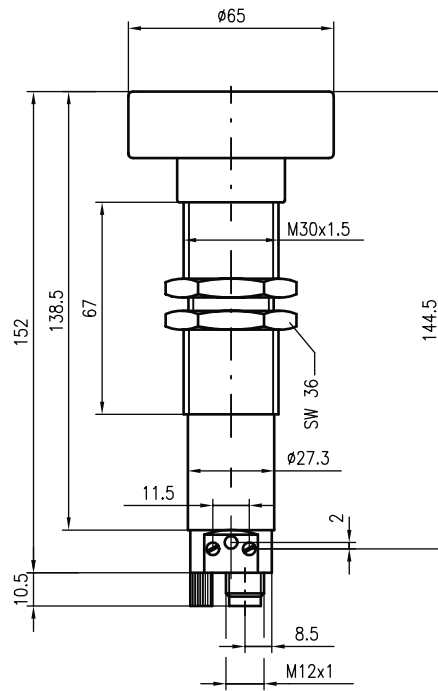
Direct access to the online product selector at www.leuze.com/en/br430mu

Part no.	Part description	Measurement range	Digital switching output	Analog output	Interface	Switching frequency	Resolution	Description
50124265	DMU430B-3000.X3/LTC-M12	300 ... 3,000 mm	Transistor, push-pull, break-contact/make-contact	Current	IO-Link	4 Hz	1.0 mm	Inputs/outputs: 1; Operational controls: control buttons, connector, M12, 5-pin
50124266	DMU430B-3000.X3/LTV-M12	300 ... 3,000 mm	Transistor, push-pull, break-contact/make-contact	Voltage	IO-Link	4 Hz	1.0 mm	Inputs/outputs: 1; Operational controls: control buttons, connector, M12, 5-pin
50136115	DMU330-3500.3/2CK-M12	250 ... 3,500 mm	Transistor, NPN, NO (normally open)	Current		2 Hz	5 mm	Inputs/outputs: 1; Operational controls: control buttons, connector, M12, 5-pin
50136113	DMU330-3500.3/2VK-M12	250 ... 3,500 mm	Transistor, NPN, NO (normally open)	Voltage		2 Hz	5 mm	Inputs/outputs: 1; Operational controls: control buttons, connector, M12, 5-pin
50136114	DMU330-3500.3/4CK-M12	250 ... 3,500 mm	Transistor, PNP, NO (normally open)	Current		2 Hz	5 mm	Inputs/outputs: 1; Operational controls: control buttons, connector, M12, 5-pin
50136112	DMU330-3500.3/4VK-M12	250 ... 3,500 mm	Transistor, PNP, NO (normally open)	Voltage		2 Hz	5 mm	Inputs/outputs: 1; Operational controls: control buttons, connector, M12, 5-pin
50136117	DMU330-6000.3/4CK-M12	350 ... 6,000 mm	Transistor, PNP, NO (normally open)	Current		1 Hz	6 mm	Inputs/outputs: 1; Operational controls: control buttons, connector, M12, 5-pin
50036269	VRTU 430M/V-1710-6000-S12	600 ... 6,000 mm	Transistor	Current		1 Hz	1.0 mm	Connector, M12, 5-pin

Dimensioned drawings: 430 series



DMU 430B ultrasonic distance sensor



VRTU 430 ultrasonic distance sensor

ACCESSORIES: 430 SERIES

Connection technology

Connection cables

Part no.	Part description	Connection 1	No. of pins	Cable length	Sheathing material
50133839	KD U-M12-5A-P1-020	Connector, M12, axial, female	5-pin	2,000 mm	PUR
50132536	KD U-M12-5W-P1-020	Connector, M12, angled, female	5-pin	2,000 mm	PUR
50133841	KD U-M12-5A-P1-050	Connector, M12, axial, female	5-pin	5,000 mm	PUR
50132537	KD U-M12-5W-P1-050	Connector, M12, angled, female	5-pin	5,000 mm	PUR
50132077	KD U-M12-5A-V1-020	Connector, M12, axial, female	5-pin	2,000 mm	PVC
50133842	KD U-M12-5W-V1-020	Connector, M12, angled, female	5-pin	2,000 mm	PVC
50132079	KD U-M12-5A-V1-050	Connector, M12, axial, female	5-pin	5,000 mm	PVC
50133802	KD U-M12-5W-V1-050	Connector, M12, angled, female	5-pin	5,000 mm	PVC

Further connection cables can be found on our website

Mounting systems

Mounting bracket

Part no.	Part description	Design	Fastening at device	Fastening at system	Material
50113510	BT D30M.5	Angle, L-shape	Screw type	Through-hole mounting	Stainless steel

Further mounting brackets can be found on our website

Switching sensors

Measuring sensors

Products for safety at work

Identification

Data transmission / Control components

Industrial image processing

Accessories

SMART IS TO BE **CLOSE**



Product selector

Intuitive web applications for convenient product selection



Smart is finding the right product for every application: www.leuze.com

"It's never been easier for you to select sensors: use our product selector"

Martina Weil,
Customer Care Center

