

## Semi-rotary drives DRVS

**FESTO**



Festo core product range  
Covers 80% of your automation tasks

Worldwide:

Always in stock

Superb:

Festo quality at an attractive price

Easy:

Simplified procurement and warehousing

★ Generally ready for dispatch from the factory within 24 hours

In stock at 13 Service Centres worldwide

More than 2200 products

★ Generally ready for dispatch from the factory within 5 days

Assembled for you at 4 Service Centres worldwide

Up to  $6 \times 10^{12}$  variants per product family

Just look  
for the  
star!

## Key features

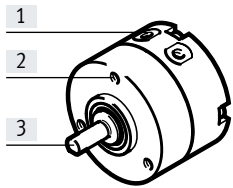
### Key features at a glance

- Double-acting semi-rotary drive with vane
- Lighter than other semi-rotary drives
- Modern and compact design
- Fixed swivel angle
- Swivel angle can be adjusted with the help of accessories
- Housing protected against splash water and dust
- No metal fixed stop

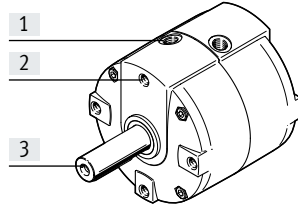
### The technology in detail

#### Semi-rotary drive DRVS

Sizes 6, 8



Size: 12 ... 40



- [1] Pneumatic connection
- [2] Mounting thread
- [3] Drive shaft:  
Size 6 ... 16: with flat  
Size 25 ... 40: with featherkey

#### Position sensor SRBS

The position sensor is used for sensing the end positions.

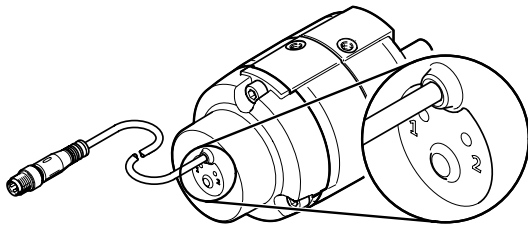
Sensing is carried out magnetically and without contact. Two switching points are output.

#### Key features:

- Quick installation
- Simple and reliable operation using one button
- The end positions of the swivel angle are taught in at the touch of a button
- Only one connecting cable required
- Long service life thanks to sturdy and non-contacting position sensing

#### Technical data:

- Sensing range: 0 ... 270°
- Repetition accuracy:  $\leq 1^\circ$
- 2 switching outputs (24 V)
- Switching output: PNP or NPN programmable
- Switching element function: N/O contact or N/C contact programmable

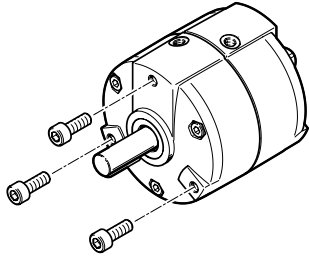


## Key features and type codes

## Mounting options

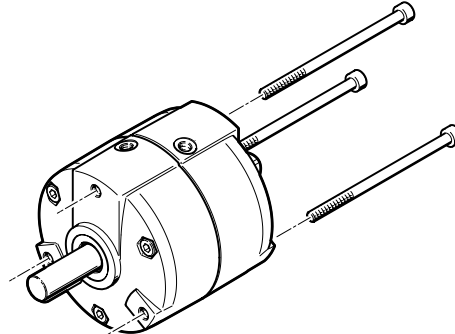
With female thread

Size: 6 ... 40



With through-hole

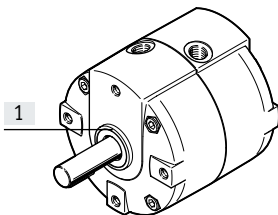
Size: 12 ... 40


 **Note**

This type of mounting is not permissible in combination with accessories.

Centring via centring collar

Size: 6 ... 40



[1] Centring collar

## Type codes

001	Series
DRVS	Semi-rotary drive, double-acting

002	Size
6	6
8	8
12	12
16	16
25	25
32	32
40	40

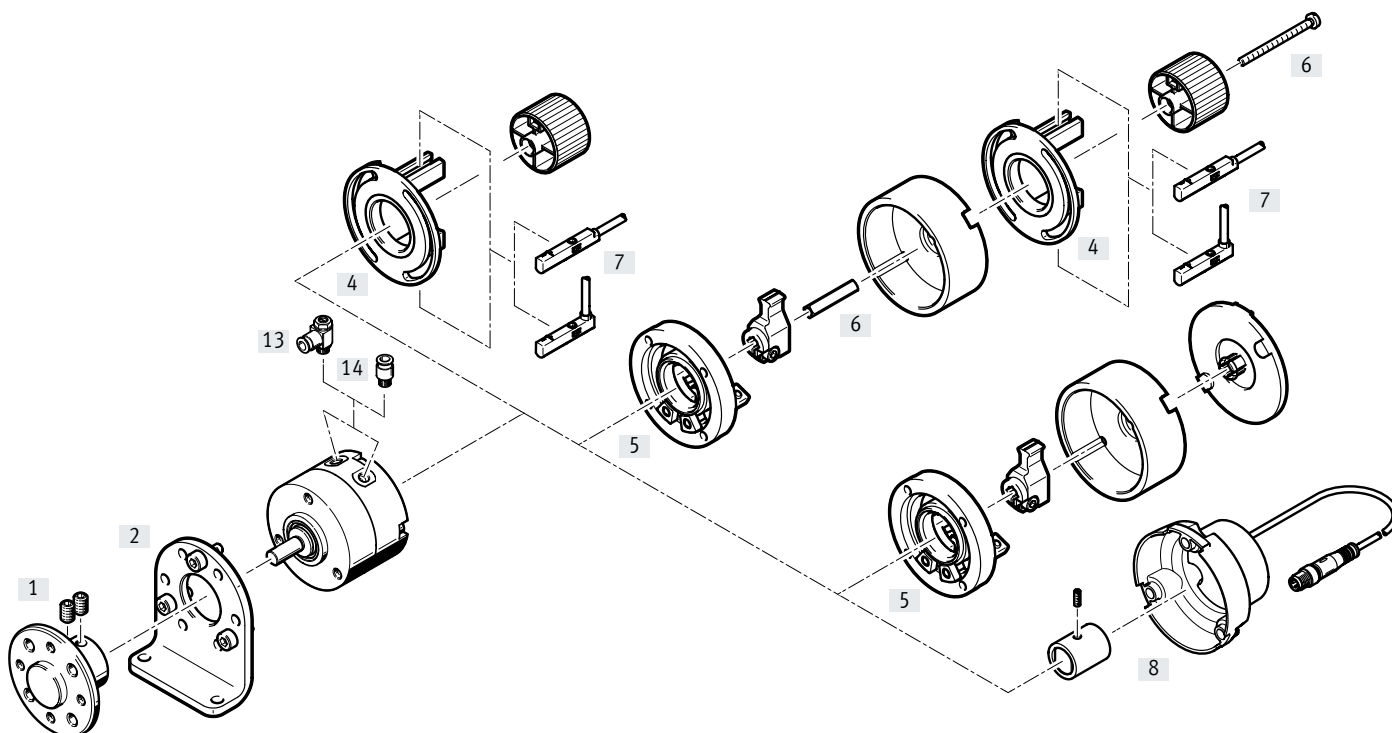
003	Nominal swivel angle [°]
90	90
180	180
270	270

004	Cushioning
P	Elastic cushioning rings/plates on both sides

005	EU certification
	None
EX4	II 2GD

## Peripherals overview

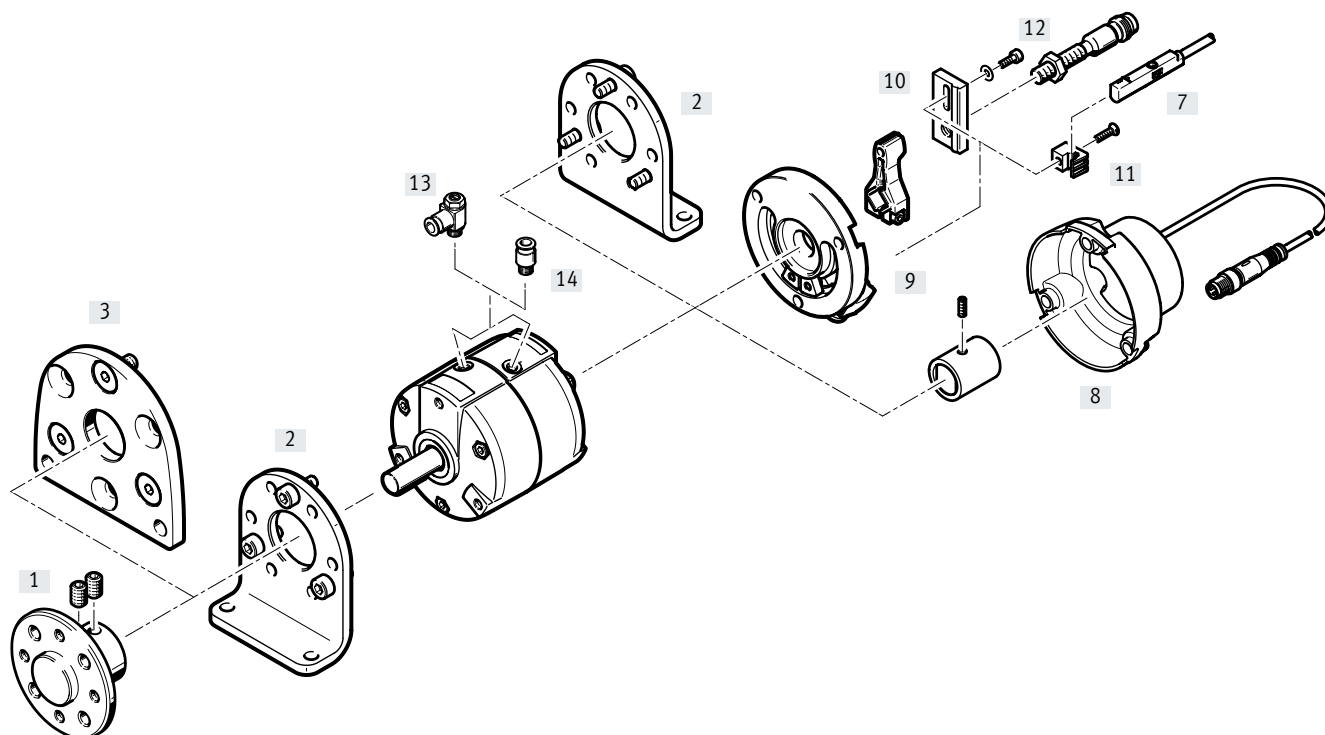
## Size 6 and 8



Accessories	Description	→ Page/ Internet
[1] Push-on flange FWSR/DARF	For mounting attachments	17
[2] Foot mounting DAMH	<ul style="list-style-type: none"> <li>For mounting the semi-rotary drive</li> <li>Front mounting only</li> </ul>	14
[4] Mounting kit WSM....SME-10	<ul style="list-style-type: none"> <li>For sensing the swivel angle</li> <li>For mounting the proximity switches SME-/SMT-10</li> <li>Must be ordered separately as an accessory</li> <li>Can be combined with stop kit KSM</li> <li>The adapter kit DADP-AK must also be ordered in combination with stop kit KSM → page 18</li> </ul>	18
[5] Stop kit KSM	<ul style="list-style-type: none"> <li>For adjusting the swivel angle</li> <li>Must be ordered separately as an accessory</li> <li>Can be combined with mounting kit WSM</li> <li>The adapter kit DADP-AK must also be ordered in combination with mounting kit WSM → page 18</li> </ul>	18
[6] Adapter kit DADP-AK	For attaching mounting kit WSM to stop kit KSM	18
[7] Proximity switch SME/SMT-10	For sensing the end position	22
[8] Position sensor SRBS	<ul style="list-style-type: none"> <li>For sensing the swivel angle</li> <li>Can only be mounted directly on the semi-rotary drive, without other accessories</li> <li>Must be ordered separately as an accessory</li> <li>The scope of delivery of the position sensor includes a magnet, which must be mounted on the shaft of the semi-rotary drive</li> </ul>	19
[13] One-way flow control valve GRLA	For speed regulation	23
[14] Push-in fitting QS	For connecting tubing with standard outside diameters	qs

## Peripherals overview

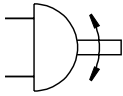
Size: 12 ... 40



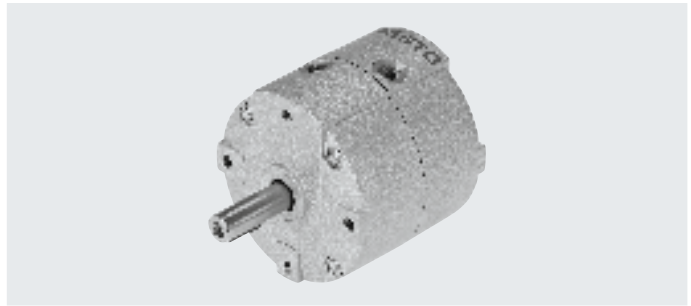
Accessories	Description	→ Page/ Internet
[1] Push-on flange DARF	For mounting attachments	17
[2] Foot mounting DAMH	<ul style="list-style-type: none"> <li>For mounting the semi-rotary drive</li> <li>Mounting at one or both ends</li> </ul>	14
[3] Flange mounting DAMF	For mounting the semi-rotary drive on the front using two mounting holes	16
[7] Proximity switch SME/SMT-10	For sensing the end position	22
[8] Position sensor SRBS	<ul style="list-style-type: none"> <li>For sensing the swivel angle</li> <li>Can only be mounted directly on the semi-rotary drive, without other accessories</li> <li>Must be ordered separately as an accessory</li> <li>The scope of delivery of the position sensor includes a magnet, which must be mounted on the shaft of the semi-rotary drive</li> </ul>	19
[9] Stop kit DADP-ES	<ul style="list-style-type: none"> <li>For adjusting the swivel angle</li> <li>Must be ordered separately as an accessory</li> </ul>	20
[10] Sensor bracket SL-DSM-S	For mounting the round inductive proximity switch SIEN	22
[11] Sensor bracket SL-DSM-B	For mounting the proximity switches SME/SMT-10	22
[12] Proximity switch SIEN	For sensing the end position	23
[13] One-way flow control valve GRLA	For speed regulation	23
[14] Push-in fitting QS	For connecting tubing with standard outside diameters	qs

## Data sheet

## Function



Size  
6 ... 40



General technical data		6	8	12	16	25	32	40
Size		6	8	12	16	25	32	40
Pneumatic connection		M3		M5		G1/8		
Design		Rotary vane						
Cushioning		Elastic cushioning at both ends						
Type of mounting		With female thread						
Mounting position		Any						
Swivel angle	[°]	90, 180		90, 180, 270				
Swivel angle with stop kit KSM, DADP		→ Page 20						
Cushioning angle	[°]	0.5						
Repetition accuracy	[°]	1						
Swivel frequency at 6 bar								
Swivel angle 90°, 180°	[Hz]	3						
Swivel angle 270°	[Hz]	-		2				

Operating and environmental conditions		6	8	12	16	25	32	40
Size		6	8	12	16	25	32	40
Operating medium		Compressed air to ISO 8573-1:2010 [7:4:4]						
Note on operating/pilot medium		Lubricated operation possible (in which case lubricated operation will always be required)						
Operating pressure	[bar]	3.5 ... 8		2.5 ... 8		2 ... 8		
Ambient temperature <sup>1)</sup>	[°C]	0 ... +60						
Storage temperature	[°C]	20						
Corrosion resistance CRC <sup>2)</sup>		1						

1) Note operating range of proximity switches

2) Corrosion resistance class CRC 1 to Festo standard FN 940070

Low corrosion stress. Dry internal application or transport and storage protection. Also applies to parts behind covers, in the non-visible interior area, and parts which are covered in the application (e. g. drive trunnions).

ATEX <sup>1)</sup>	
ATEX category for gas	II 2G
Type of ignition protection for gas	Ex h IIC T4 Gb X
ATEX category for dust	II 2D
Type of ignition protection for dust	Ex h IIIC T120°C Db X
Explosion-proof ambient temperature	[°C] 0°C ≤ Ta ≤ +60°C
CE marking (see declaration of conformity)	To EU Explosion Protection Directive (ATEX)

1) Note the ATEX certification of the accessories.

## Data sheet

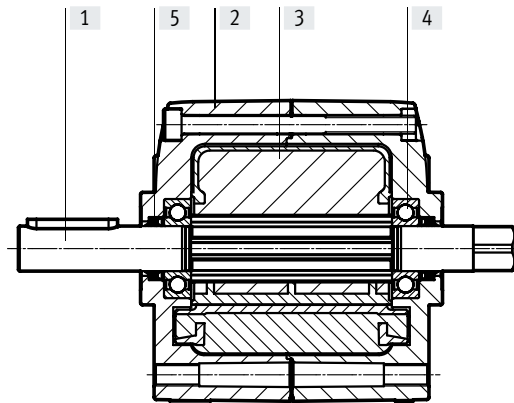
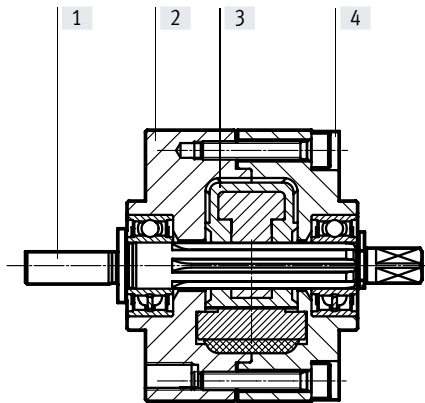
Weights [g]							
Size	6	8	12	16	25	32	40
Swivel angle of 90°	38	68	154	272	502	928	1530
Swivel angle of 180°	38	68	152	270	494	912	1500
Swivel angle of 270°	-	-	150	268	486	896	1470

## Materials

## Sectional view

DRVS-6/8

DRVS-12 ... 40

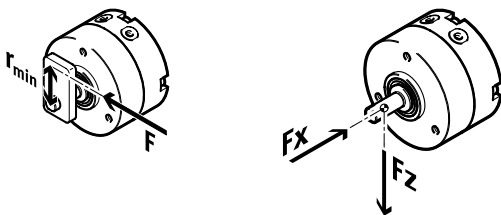


Size	6	8	12	16	25	32	40
[1] Drive shaft	High-alloy stainless steel			Nickel-plated steel			
[2] Housing	Anodised wrought aluminium alloy			Painted die-cast aluminium			
[3] Rotary vane	Reinforced PET						
[4] Ball bearing	Rolled steel						
[5] Shaft seal	-			PU			NBR
- Screws	Galvanised steel						
- Seals	TPE-U(PU)						
Note on materials	RoHS-compliant						

## Forces and torques

Size	6	8	12	16	25	32	40	
Theoretical torque								
at 6 bar	[Nm]	0.15	0.35	1	2	5	10	20
per bar	[Nm]	0.025	0.058	0.166	0.33	0.83	1.66	3.33
Permissible stop radius r	[mm]	10	10	15	17	21	28	40
Permissible stop force F	[N]	15	30	90	160	320	480	650
Max. permissible dyn. axial force $F_x^{(1)}$	[N]	10	10	20	25	40	75	120
Max. permissible dyn. radial force $F_z^{(1)}$	[N]	15	20	25	30	60	200	350
Max. permissible mass moment of inertia	[kgm <sup>2</sup> x10 <sup>-4</sup> ]	6.5	13	50	100	120	200	350

1) The axis of rotation and the centre of the drive shaft are the point of reference for the forces



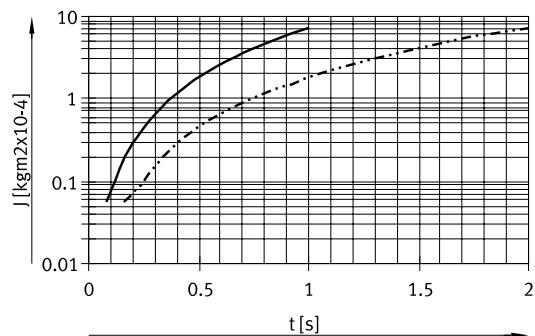
## - Note

If the semi-rotary drives DRVS are used without a stop system or the mass moment of inertia is exceeded, external stops must be used. A minimum radius relative to the drive shaft ( $r_{min}$ ) must be observed. The stop force must not exceed the maximum force.

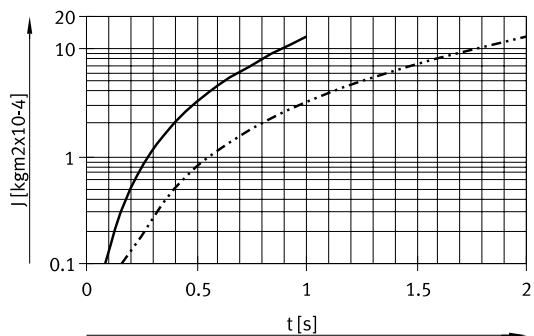
Data sheet

Mass moment of inertia  $J$  as a function of swivel time  $t$

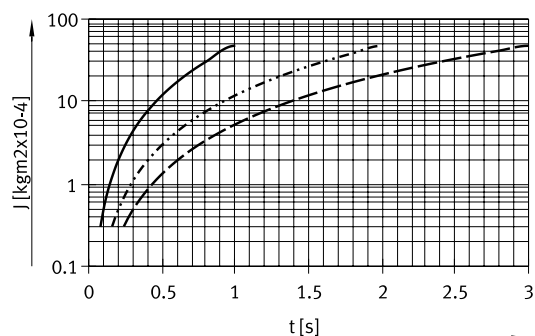
Size 6



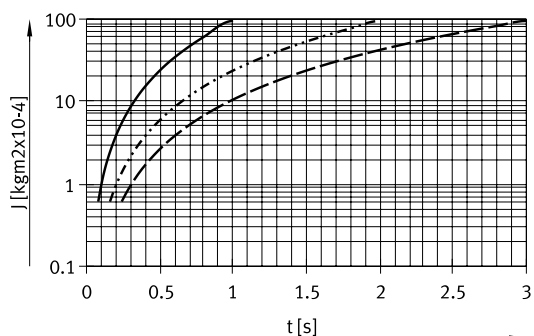
Size 8



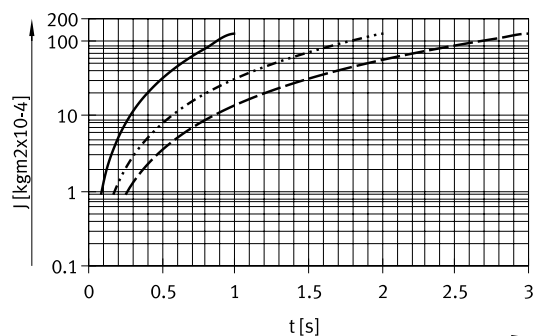
Size 12



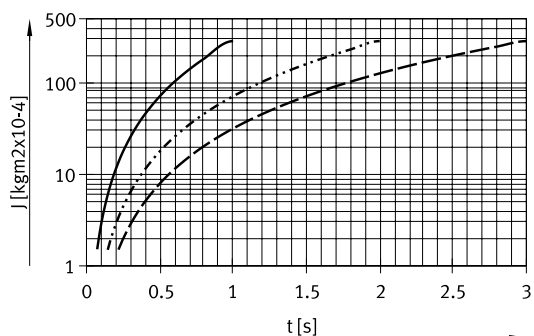
Size 16



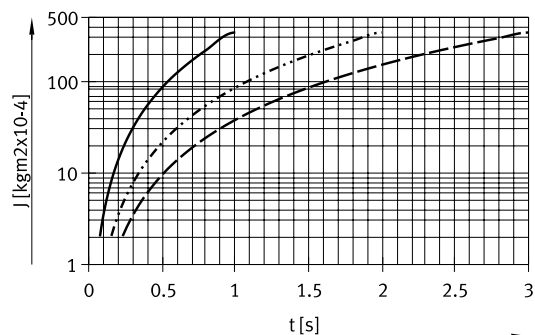
Size 25



Size 32



Size: 40



————— 90°  
 ..... 180°  
 - - - - - 270°

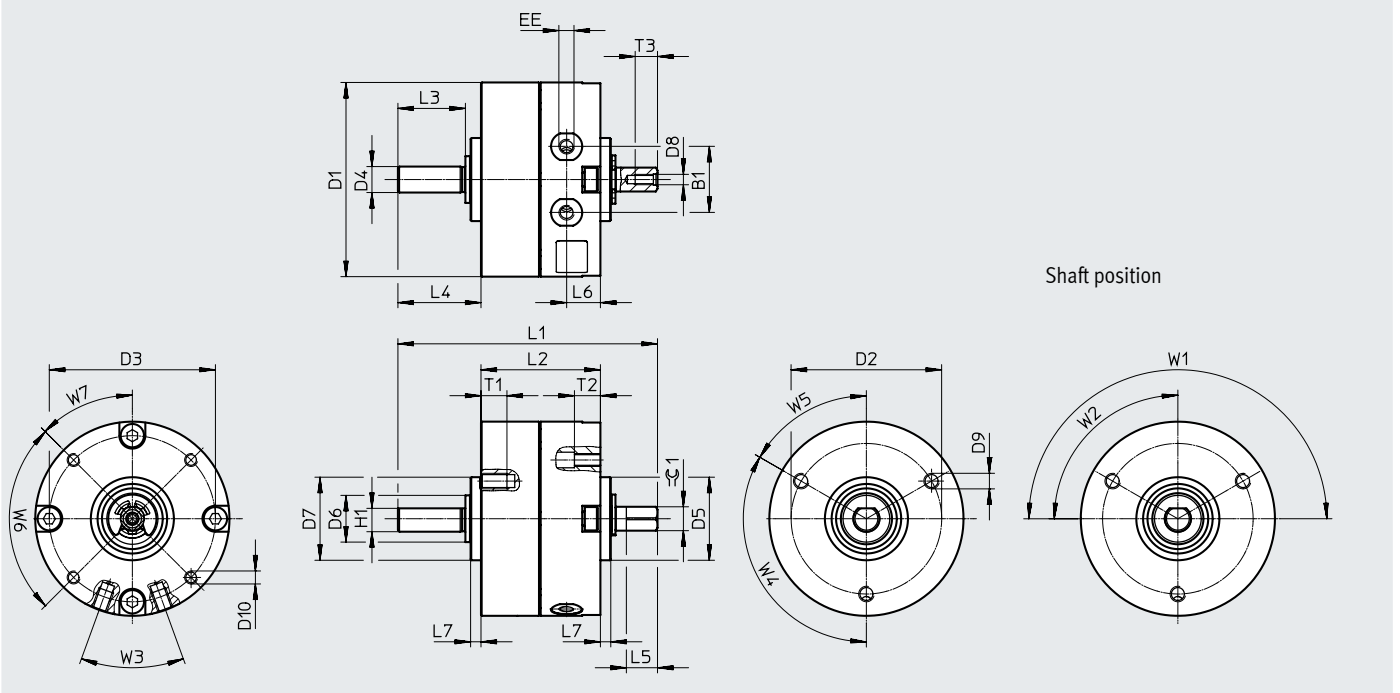


## Data sheet

## Dimensions

Download CAD data → [www.festo.com](http://www.festo.com)

Size 6/8



Size	B1	D1 $\varnothing$ $\pm 0.2$	D2 $\varnothing$ $\pm 0.1$	D3 $\varnothing$ $\pm 0.1$	D4 $\varnothing$ g7	D5 $\varnothing$ f8	D6 $\varnothing$	D8	D9
6	10	29.4	24	25	4	14	8	M2	M3
8	12.8	37.4	29	32	5	16	9	M2	M3

Size	D10	EE	H1 $-0.2$	L1	L2	L3	L4	L5 $-0.2$	L6	L7
6	M2	M3	3.5	43	21	10	13	5	6	2
8	M2.5	M3	4.5	50	23	13	16	6	6.5	2

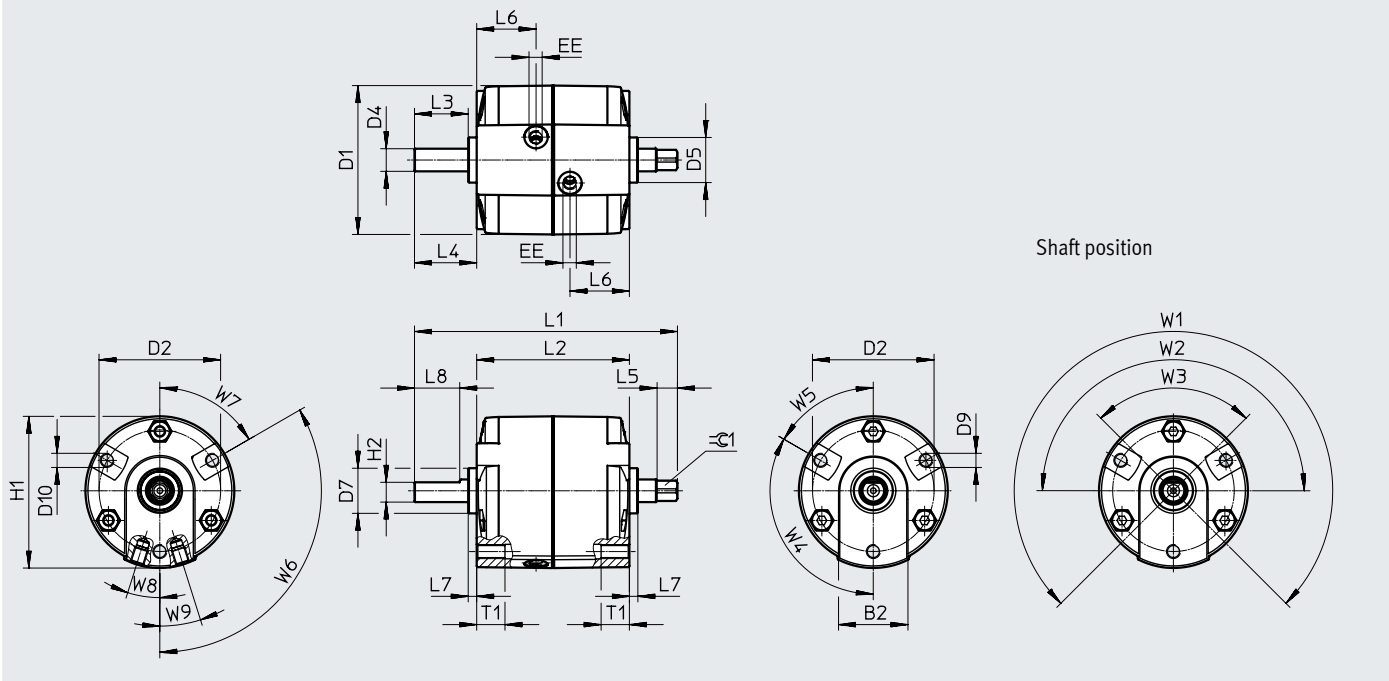
Size	T1 $+0.5$	T3 $+0.5$	W1 $+5^\circ$	W2 $+5^\circ$	W3	W4	W5	W6	W7	$\approx \pm 1$
6	5	3.5	180°	90°	40°	120°	60°	90°	45°	3
8	5	4.3								3.5

Data sheet

Dimensions

Download CAD data → [www.festo.com](http://www.festo.com)

Size 12/16



Size	B2	D1 ∅	D2 ∅ ±0.2	D4 ∅ g7	D5 ∅ -0.1	D9	EE	H1
12	24	45.5	36	6	14	M4	M5	46.3
16	24.5	52.7	43	8	16	M5	M5	53.7

Size	H2 ±0.1	L1	L2 +0.6/-0.2	L3	L4	L5	L6	L7 +0.1/-0.1	L8 +0.4	T1
12	5	73+0.2/-0.1	40.5	17	20+0.4/-0.6	9±0.1	14.8	3	14	8
16	7	93+0.2/-0.2	54	19	22+0.4/-0.7	7.2 <sup>+0.1</sup>	21	3	16	10

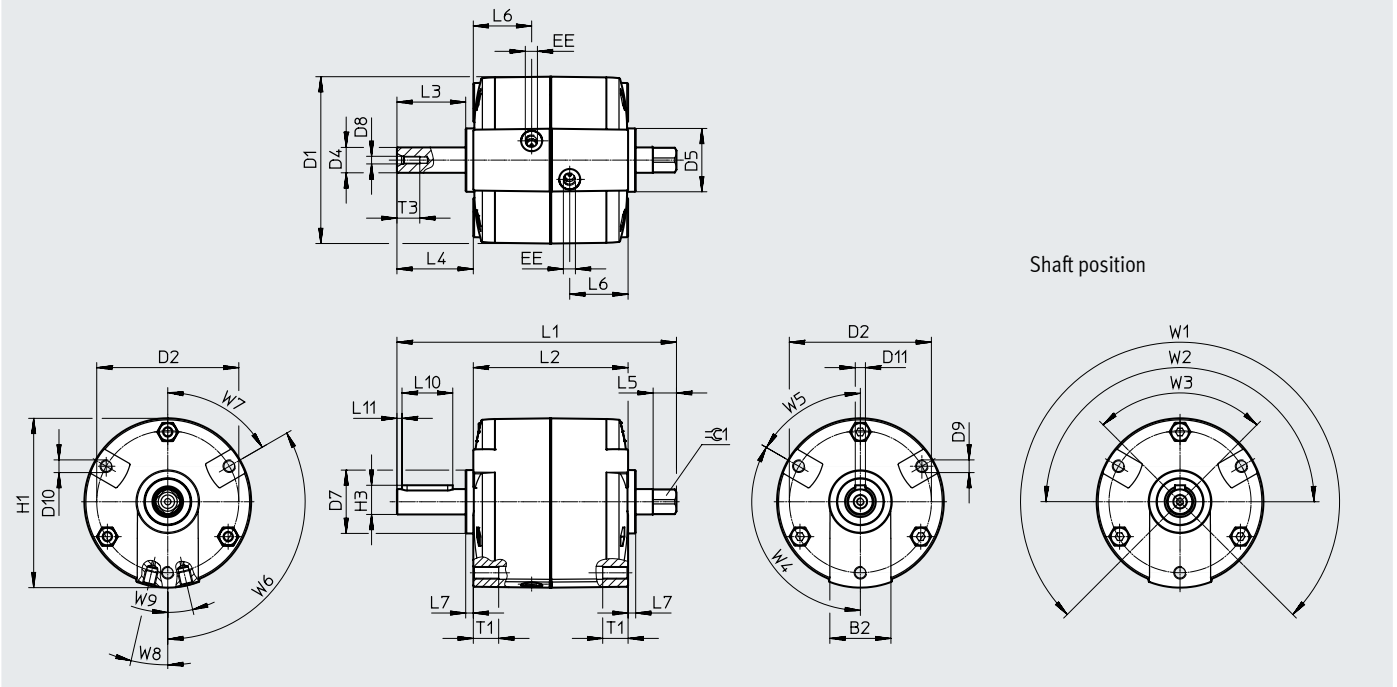
Size	W1 +7°	W2 +7°	W3 +7°	W4	W5	W6	W7	W8	W9	≈C 1
12	270°	180°	90°	120°	60°	120°	60°	19.5°	19.5°	4.5 <sub>h11</sub>
16								17.5°	17.5°	6 <sub>-0.1</sub>

## Data sheet

## Dimensions

Download CAD data → [www.festo.com](http://www.festo.com)

Size 25



Size	B2	D1 ∅	D2 ∅ ±0.2	D4 ∅ g7	D5 ∅ -0.1	D8	D9	D11 N9
25	24	65.7	56	10	25	M3	M5	4

Size	EE	H1	H3 -0.2	L1 +0.2/-0.3	L2 +0.3/-0.2	L3	L4 +0.3/-0.4	L5
25	M5	66.7	11.5	110.2	61	27.1	30.1	9.2

Size	L6	L7 +0.1/-0.1	L10 +0.1	L11	T1	T3 +3	W1 +7°	W2 +7°
25	23	3	20	2	10	9	270°	180°

Size	W3 +7°	W4	W5	W6	W7	W8	W9	≈ $\ominus$ 1 -0.1	Featherkey <sup>1)</sup>
25	90°	120°	60°	120°	60°	13°	13°	8	A4x4x20

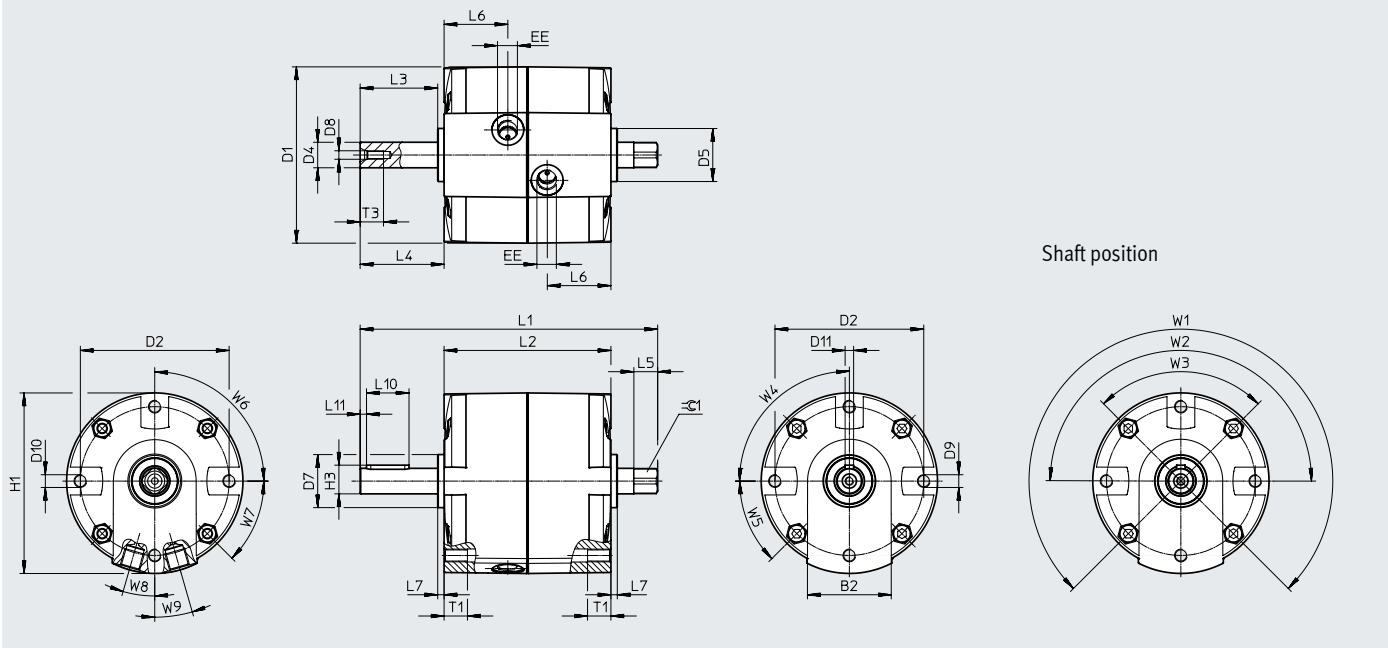
1) Included in the scope of delivery

Data sheet

Dimensions

Download CAD data → [www.festo.com](http://www.festo.com)

Size 32/40



Size	B2	D1 ∅	D2 ∅ ±0.2	D4 ∅ g7	D5 ∅ -0.1	D8	D9	D11 N9
32	39	83	70	12	25	M4	M6	4
40	42	100.1	87	17	30	M5	M8	5

Size	EE	H1	H3	L1	L2	L3	L4	L5
			-0.2	+0.2/-0.3			+0.3/-0.6	
32	G1/8	85	13.5	140	78.5+0.5/-0.1	36.5	39.5	11.2
40	G1/8	102.6	19	170	93 <sup>+0.4</sup>	50.5	53.5	16 <sup>+0.3</sup>

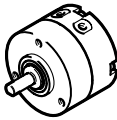
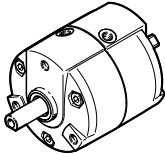
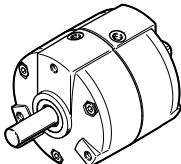
Size	L6	L7	L10	L11	T1	T3	W1	W2
						+3	+7°	+7°
32	30	3+0.1/-0.2	20 <sup>+0.1</sup>	3	11	11	270°	180°
40	37	3 <sup>+0.2</sup>	36.1 <sup>+0.3</sup>	5	13 <sup>+3</sup>	13		

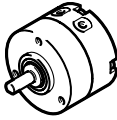
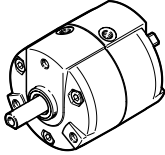
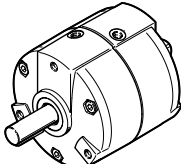
Size	W3 +7°	W4	W5	W6	W7	W8	W9	⊙ 1 h11	Featherkey to DIN 6885 <sup>1)</sup>
32	90°	90°	45°	90°	45°	16°	16°	10	A4x4x20
40						14.5°	14.5°	13	A5x5x36

1) Included in the scope of delivery

## Data sheet

## ★ Core product range

Ordering data – Without ATEX certification				
	Size	Swivel angle	Part no.	Type
	6	90°	★ 1845706	DRVS-6-90-P
		180°	★ 1845707	DRVS-6-180-P
	8	90°	★ 1845708	DRVS-8-90-P
		180°	★ 1845709	DRVS-8-180-P
	12	90°	★ 1845710	DRVS-12-90-P
		180°	★ 1845711	DRVS-12-180-P
		270°	★ 1845712	DRVS-12-270-P
	16	90°	★ 1845713	DRVS-16-90-P
		180°	★ 1845714	DRVS-16-180-P
		270°	★ 1845715	DRVS-16-270-P
25	90°	★ 1845716	DRVS-25-90-P	
	180°	★ 1845717	DRVS-25-180-P	
	270°	★ 1845718	DRVS-25-270-P	
	32	90°	★ 1845719	DRVS-32-90-P
		180°	★ 1845720	DRVS-32-180-P
		270°	★ 1845721	DRVS-32-270-P
	40	90°	★ 1845722	DRVS-40-90-P
		180°	★ 1845723	DRVS-40-180-P
		270°	★ 1845724	DRVS-40-270-P

Ordering data – With ATEX certification				
	Size	Swivel angle	Part no.	Type
	6	90°	2536483	DRVS-6-90-P-EX4
		180°	2536484	DRVS-6-180-P-EX4
	8	90°	2536485	DRVS-8-90-P-EX4
		180°	2536486	DRVS-8-180-P-EX4
	12	90°	2536487	DRVS-12-90-P-EX4
		180°	2536488	DRVS-12-180-P-EX4
		270°	2536489	DRVS-12-270-P-EX4
	16	90°	2536490	DRVS-16-90-P-EX4
		180°	2536491	DRVS-16-180-P-EX4
		270°	2536492	DRVS-16-270-P-EX4
25	90°	2536493	DRVS-25-90-P-EX4	
	180°	2536494	DRVS-25-180-P-EX4	
	270°	2536495	DRVS-25-270-P-EX4	
	32	90°	2536496	DRVS-32-90-P-EX4
		180°	2536497	DRVS-32-180-P-EX4
		270°	2536498	DRVS-32-270-P-EX4
	40	90°	2536499	DRVS-40-90-P-EX4
		180°	2536500	DRVS-40-180-P-EX4
		270°	2536501	DRVS-40-270-P-EX4

Festo core product range



Generally ready for dispatch from the factory within 24 hours

Generally ready for dispatch from the factory within 5 days

Accessories

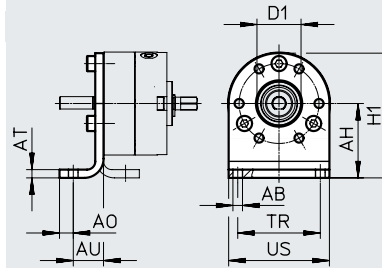
Foot mounting DAMH

Material:  
Galvanised steel  
RoHS-compliant

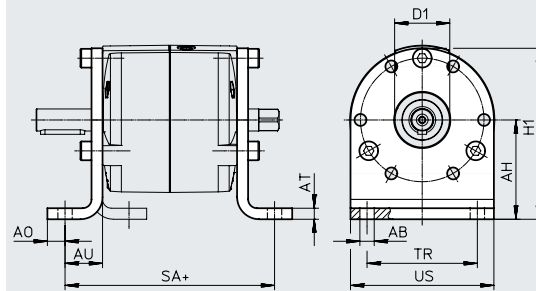
For sizes 6 and 8, foot mountings can only be mounted on the front.



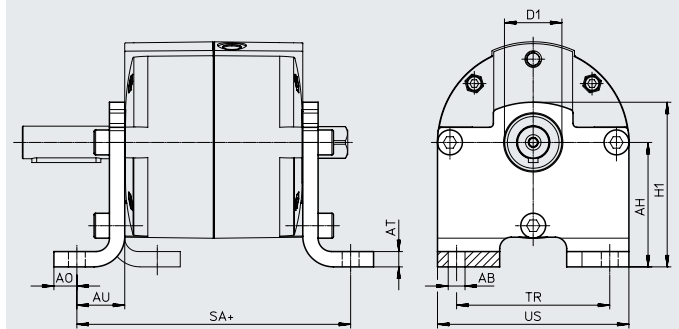
Size 6/8



Size 12 ... 25



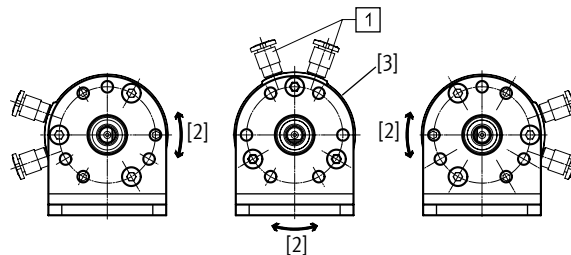
Size 32/40



[1] Supply ports

Mounting variants in combination with supply ports

There are three possible mounting options in combination with the foot mounting DAMH and supply ports [1]. The mid-position of the swivel angle is then in position [2].



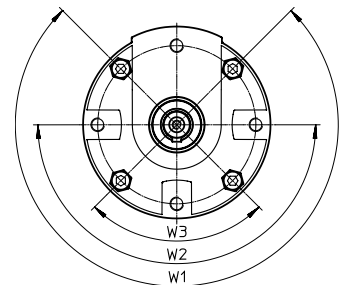
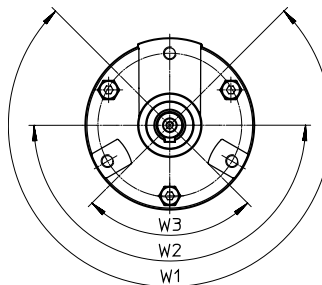
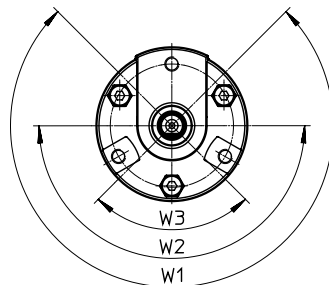
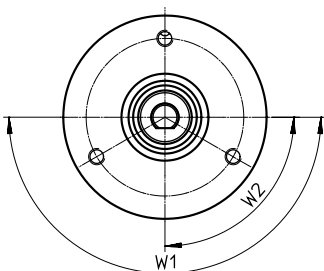
Shaft position in standard position [3] (position of swivel angle)

Size 6/8

Size 12/16

Size 25

Size 32/40



## Accessories

Dimensions and ordering data							
For size	AB ∅ H13	AH	AO	AT	AU	D1 ∅	H1
6	3.5	22±0.2	4	3	11	14 <sup>+0.05</sup>	36.8±0.5/-0.3
8	3.5	27±0.2	5	3	11	16 <sup>+0.05</sup>	45.3±0.4
12	5.5	30±0.2	6	4	14	14 <sup>H10</sup>	52±0.5/-0.3
16	5.5	35±0.25	7	4	15	16 <sup>H10</sup>	61±0.5/-0.3
25	6.5	45±0.25	8	5	17	25 <sup>H10</sup>	77.5±0.5/-0.3
32	8.8	55±0.3	11	6	21	25 <sup>H10</sup>	73±0.5
40	8.8	65±0.3	12	8	25	30 <sup>H10</sup>	86±0.5

For size	SA	TR	US	Weight <sup>1)</sup> [g]	Part no.	Type <sup>2)</sup>
6	–	20	29.6±0.3/-0.2	27	<b>3371840</b>	<b>DAMH-Q12-6</b>
8	–	30	36.6±0.3	40	<b>3371841</b>	<b>DAMH-Q12-8</b>
12	68.5	30	44 <sub>-0.5</sub>	79	<b>3371842</b>	<b>DAMH-Q12-12</b>
16	84	40	52 <sub>-0.5</sub>	111	<b>3371843</b>	<b>DAMH-Q12-16</b>
25	95	50	65 <sub>-0.5</sub>	203	<b>3371844</b>	<b>DAMH-Q12-25</b>
32	122.5	60	81.5 <sub>-0.5</sub>	287	<b>3371845</b>	<b>DAMH-Q12-32</b>
40	143	80	100±0.3	529	<b>3371846</b>	<b>DAMH-Q12-40</b>

1) For one foot mounting

2) Suitable for ATEX

## Accessories

### Flange mounting DAMF

Material:

Galvanised steel

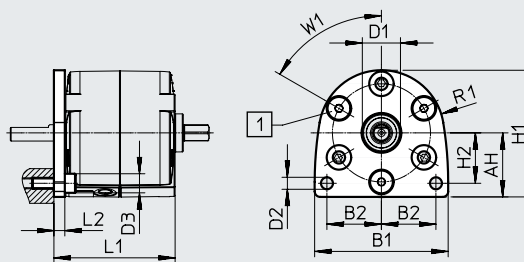
RoHS-compliant

Mounting variants in combination with supply ports:

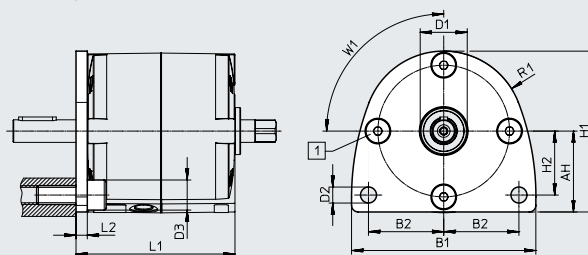
- For sizes 12 ... 25, possible every 60°
- For sizes 32/40, possible every 90°



Size 12 ... 25



Size 32/40



[1] Supply ports

### Dimensions and ordering data

For size	AH	B1	B2	D1 ∅ H10	D2 ∅ H13	D3 ∅ Max.	H1	H2
12	23.5±0.2	49±0.4	20	14	4.4	8.5	46.5+0.4/-0.3	18.5
16	28±0.2	59±0.4	23	16	5.4	8.5	56±0.4	20.5
25	34.5±0.2	74±0.4	30	25	6.5	10	69±0.4	23
32	43±0.2	98±0.5	40	25	8.5	16	85.5+0.5/-0.4	34
40	53+0.3/-0.2	120±0.5	50	30	8.5	18	106+0.5/-0.3	40

For size	L1	L2	R1	W1	Weight [g]	Part no.	Type <sup>1)</sup>
12	44.5	4	23	60°	54	4965018	DAMF-Q12-12
16	58	4	28	60°	80	4965019	DAMF-Q12-16
25	66	5	34.5	60°	147	4965020	DAMF-Q12-25
32	84.5	6	42.5	90°	305	4965021	DAMF-Q12-32
40	99	6	53	90°	472	4965022	DAMF-Q12-40

1) Suitable for ATEX



## Accessories

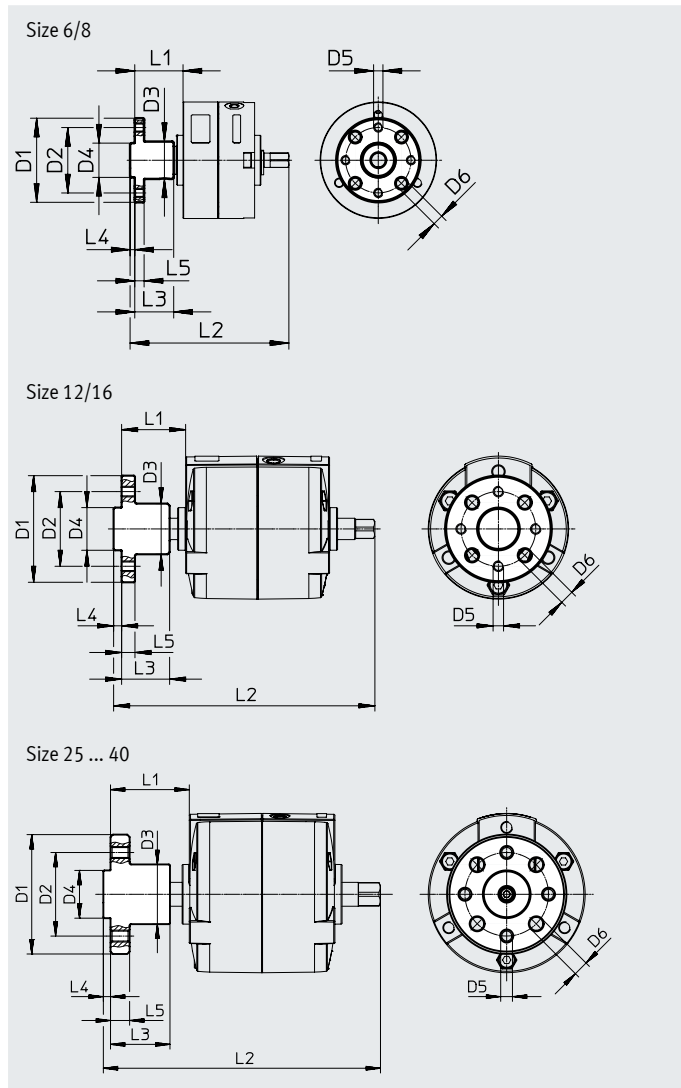
## Push-on flange FWSR/DARF

Material:

Flange: Anodised wrought aluminium alloy

Screws: Galvanised steel

RoHS-compliant



## Dimensions and ordering data

For size	D1 ∅	D2 ∅	D3 ∅ +0.4	D4 ∅	D5	D6 ∅ H13	L1
6	23	16	10	8 <sub>g7</sub>	M3	3.4	13.5±0.7
8	27	21	12	11 <sub>g7</sub>	M3	3.4	15.5±0.7
12	35 <sub>-0.5</sub>	25	16	14 <sub>f8</sub>	M3	3.4	21+0.5/-0.7
16	40 <sub>-0.5</sub>	28	19	16 <sub>f8</sub>	M4	4.5	23+0.5/-0.8
25	50 <sub>-0.5</sub>	35	25	20 <sub>f8</sub>	M5	5.5	33+0.4/-0.5
32	60 <sub>-0.5</sub>	45	25	28 <sub>f8</sub>	M6	6.5	42.6+0.4/-0.7
40	70 <sub>-0.5</sub>	54	30	36 <sub>f8</sub>	M8	9	57.1+0.4/-0.7

For size	L2	L3	L4	L5	Weight [g]	Part no.	Type <sup>1)</sup>
6	45	10.5	1.5 <sub>-0.2</sub>	3	6	185948	FWSR-6
8	51	12.5	1.5 <sub>-0.2</sub>	3	8	185949	FWSR-8
12	77	16	3 <sub>-0.1</sub>	3	15	4886221	DARF-Q12-12
16	97	18	3 <sub>-0.1</sub>	5	25	4886222	DARF-Q12-16
25	116.1	24.9	3 <sub>-0.1</sub>	8	60	4886223	DARF-Q12-25
32	147.1	26.1	4 <sub>-0.1</sub>	10	92	4886224	DARF-Q12-32
40	178.6	44.6	5 <sub>-0.1</sub>	11	155	4886225	DARF-Q12-40

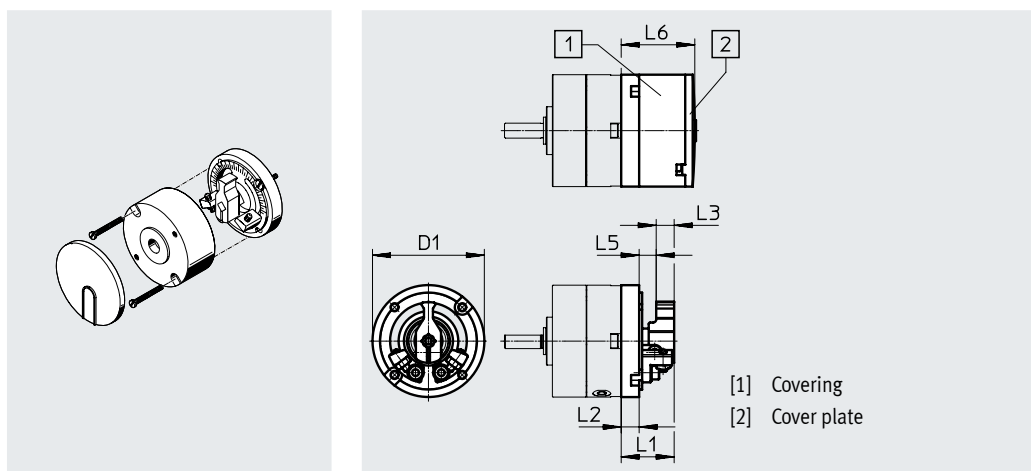
1) Suitable for ATEX

## Accessories

### Stop kit KSM

Material:  
 Housing: Anodised aluminium  
 Stops: High-alloy stainless steel  
 Free of copper and PTFE

Description:  
 For adjusting the swivel angle



#### Dimensions and ordering data

For size	D1 ∅ ±0.2	L1 +0.4	L2 +0.3	L3	L5	L6 +0.2/-0.6
6	29.4	11.2	3.2	5	2.5	17.8
8	37.4	17	6	6	5.7	24.9

For size	Swivel angle [°]	Precision adjustment [°]	Weight [g]	Part no.	Type <sup>1)</sup>
6	0 ... 180	-5 ... +1	30	175833	KSM-6
8	0 ... 180	-5 ... +1	70	175834	KSM-8

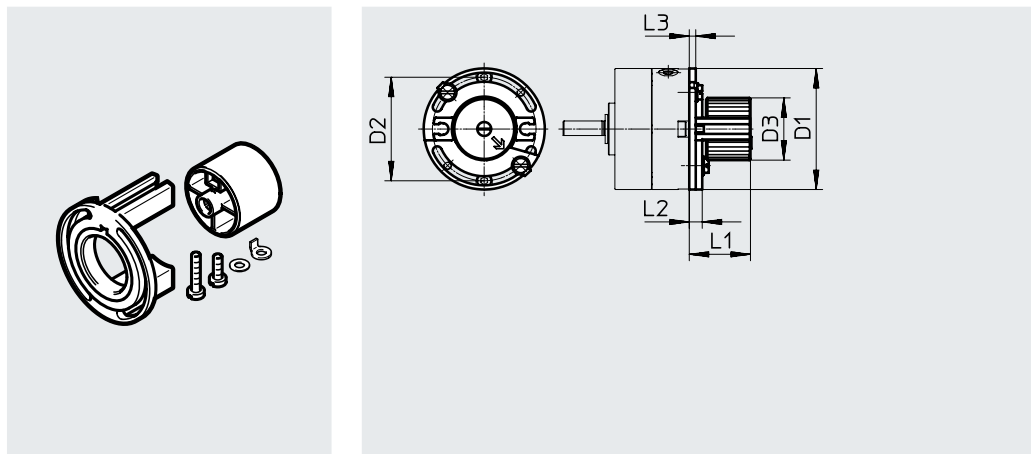
1) Suitable for ATEX

### Mounting kit WSM

Material:  
 Bracket, magnet holder: Polyamide  
 Rail in bracket: Aluminium

Description:

- For sensing the swivel angle
- For mounting the proximity switches SME/SMT-10



#### Dimensions and ordering data

For size	D1 ∅ ±0.2	D2 ∅ ±0.2	D3 ∅	L1 ±1	L2	L3	Part no.	Type
6	29.4	25	17.3	19.5	4	2	173205	WSM-6-SME-10
8	37.4	32	19.3	19.5	4	2	173206	WSM-8-SME-10

#### Ordering data – Adapter kit

	For size	Description	Part no.	Type
	6	For attaching mounting kit WSM to stop kit KSM	3617044	DADP-AK-Q1-6
	8		3617045	DADP-AK-Q1-8

## Accessories

### Position sensor SRBS

Material:

Housing: Reinforced PA, nickel-plated brass

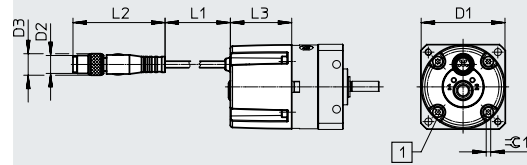
RoHS-compliant

Description:

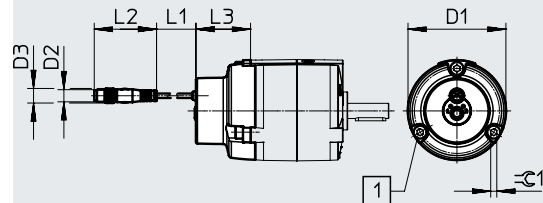
- Sturdy, non-contacting and encapsulated position detection with long service life
- For sensing the end positions
- Simple and reliable operation using one button
- Only one connecting cable required  
→ page 23



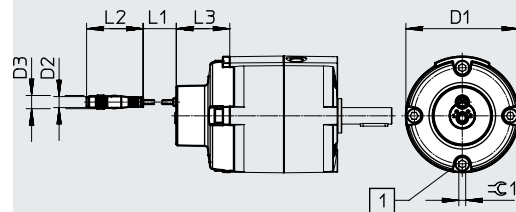
For size 6/8



For size 12 ... 25



For size 32/40



[1] Retaining screw

### Dimensions and ordering data

For size	D1 ∅	D2	D3 ∅	L1	L2	L3	⌀ 1
6	29.4	M8x1, (Plug, 4-pin)	9.6	300	41.1	25.4	1.5
8	32					27.4	2
12	44.6					29.4	3
16	51.6					33.9	4
25	64.5					36	4
32	81.3					38.9	5
40	98.3	40.4	6				

Data sheets → Internet: srbs

For size	Sensing range [°]	Repetition accuracy [°]	Number of switching outputs	Switching output	Switching element	Weight [g]	Part no.	Type
6	0 ... 270	≤ 1	2	PNP/NPN	N/O contact / N/C contact	25	★ 2619969	SRBS-Q12-6-E270-EP-1-S-M8
8						30	★ 2619972	SRBS-Q12-8-E270-EP-1-S-M8
12						42	★ 2393546	SRBS-Q12-12-E270-EP-1-S-M8
16						55	★ 2393547	SRBS-Q12-16-E270-EP-1-S-M8
25						60	★ 2393548	SRBS-Q12-25-E270-EP-1-S-M8
32						81	★ 2393549	SRBS-Q12-32-E270-EP-1-S-M8
40						120	★ 2393550	SRBS-Q12-40-E270-EP-1-S-M8

Festo core product range



Generally ready for dispatch from the factory within 24 hours

Generally ready for dispatch from the factory within 5 days

## Accessories

### Stop kit DADP-ES

Material:

Disc: Anodised aluminium

Lever: Nickel-plated beryllium bronze

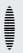
Stop: DADP-12: Nickel-plated beryllium bronze

DADP-16 ... 40: Stainless steel

RoHS-compliant

Description:

- For adjusting the swivel angle (precision adjustment via thread)
- With flexible cushioning elements for noise reduction

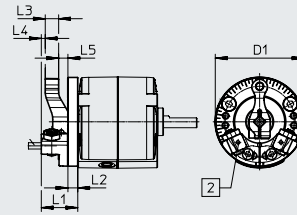
 **Note**

Permissible mass moment of inertia

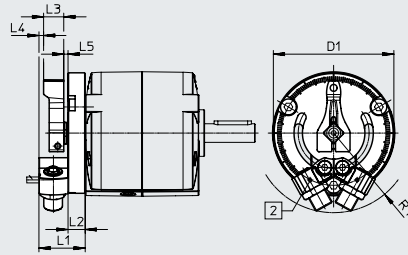
→ Basic drive



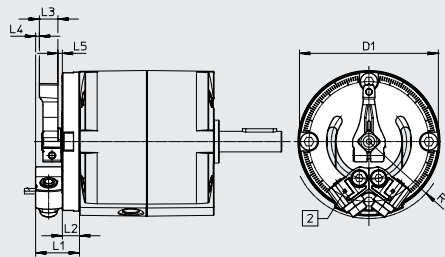
For size 12



For size 16/25



For size 32/40



[2] Mounting thread for sensor bracket

Optimal swivel motion:

For an even swivel motion it is recommended to position the stops symmetrically to the mid-position.

Size 12

Size 16 ... 40

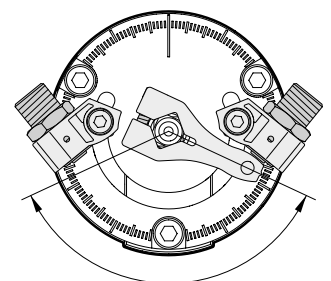
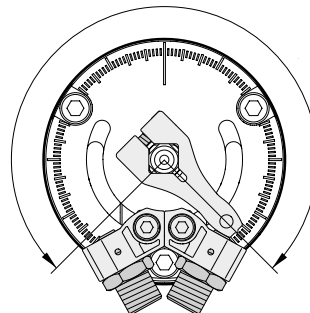
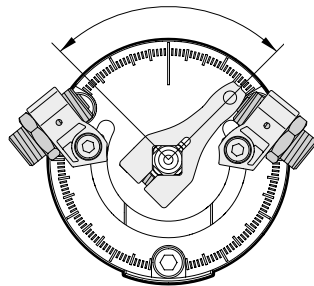
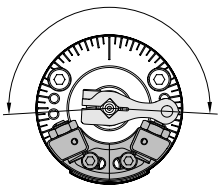
Mounting variant 90 ... 270°

Mounting variant 0 ... 130°

0 ... 190°

Min. 90°

Max. 270°



## Accessories

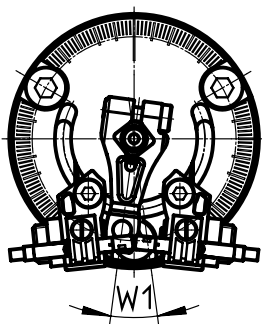
Dimensions and ordering data							
For size	D1 ∅	L1	L2	L3	L4	L5	R1
12	45	18.5	5	6.8	2	4.7	–
16	51.7	21.5	9	8.5	2.3	1.7	34
25	64.6	24.8	9.2	10.8	2.5	2.3	43.5
32	81	25.6	10	10.8	2.2	2.6	45.5
40	100	32	12	13.7	3.3	3	58

For size	Swivel angle [°]	Precision adjustment [°]	Weight [g]	Part no.	Type <sup>1)</sup>
12	0 ... 190	–6	60	2536502	DADP-ES-Q12-12
16	0 ... 270	–6	110	2536503	DADP-ES-Q12-16
25	0 ... 270	–6	180	2536504	DADP-ES-Q12-25
32	0 ... 270	–6	250	2536505	DADP-ES-Q12-32
40	0 ... 270	–6	450	2536506	DADP-ES-Q12-40

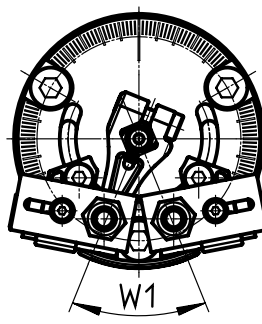
1) Suitable for ATEX

**Minimum swivel angle W1 in combination with stop kit DADP-ES and attached proximity switches**

With proximity switch SME-10/SMT-10

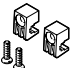
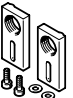


With proximity switch SIEN-M5/SIEN-M8

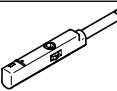


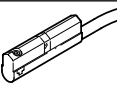
Stop kit	Proximity switch	
	SME-10/SMT-10	SIEN-M5/SIEN-M8
DADP-ES-Q12-12	15°	60°
DADP-ES-Q12-16	15°	45°
DADP-ES-Q12-25	15°	20°
DADP-ES-Q12-32	15°	20°
DADP-ES-Q12-40	15°	15°

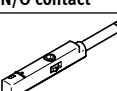
## Accessories

Ordering data – Sensor brackets					
	For size	Description	Part no.	Type	PU <sup>1)</sup>
	12 ... 40	<ul style="list-style-type: none"> <li>For sensing the swivel angle</li> <li>For mounting the proximity switches SME/SMT-10</li> </ul>	550661	SL-DSM-B	2
	12 ... 40	<ul style="list-style-type: none"> <li>For sensing the swivel angle</li> <li>For mounting the proximity switches SIEN-M5</li> </ul>	1130882	SL-DSM-S-M5-B	2
		<ul style="list-style-type: none"> <li>For sensing the swivel angle</li> <li>For mounting the proximity switches SIEN-M8</li> </ul>	1132360	SL-DSM-S-M8-B	

1) Packaging unit

Proximity switch for size 6 ... 40						Data sheets → Internet: smt
Ordering data – Proximity switches for C-slot, magneto-resistive						
	Type of mounting	Switching output	Electrical connection, outlet direction of connection	Cable length [m]	Part no.	Type
<b>N/O contact</b>						
	For size 6, 8: With mounting kit WSM-...-SME-10 For size 12 ... 40: Mounted on the DRVS using sensor bracket SL-DSM-B	PNP	Cable, 3-wire, in-line	2.5	★ 551373	SMT-10M-PS-24V-E-2,5-L-OE
			Plug M8x1, 3-pin, in-line	0.3	★ 551375	SMT-10M-PS-24V-E-0,3-L-M8D

Ordering data – Proximity switches for C-slot, magnetic reed						Data sheets → Internet: sme
	Type of mounting	Switching output	Electrical connection, outlet direction of connection	Cable length [m]	Part no.	Type
<b>N/O contact</b>						
	For size 6, 8: With mounting kit WSM-...-SME-10 For size 12 ... 40: With sensor bracket SL-DSM-B	Contacting	Cable, 3-wire, in-line	2.5	173210	SME-10-KL-LED-24
			Plug M8x1, 3-pin, in-line	0.3	173212	SME-10-SL-LED-24

Proximity switch for size 12 ... 40						Data sheets → Internet: sme
Ordering data – Proximity switches for C-slot, magnetic reed						
	Type of mounting	Switching output	Electrical connection, outlet direction of connection	Cable length [m]	Part no.	Type
<b>N/O contact</b>						
	With sensor bracket SL-DSM-B	Contacting	Cable, 3-wire, in-line	2.5	★ 551365	SME-10M-DS-24V-E-2,5-L-OE
			Plug M8x1, 3-pin, in-line	0.3	★ 551367	SME-10M-DS-24V-E-0,3-L-M8D

Festo core product range



Generally ready for dispatch from the factory within 24 hours



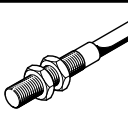
Generally ready for dispatch from the factory within 5 days

## Accessories

## Inductive proximity sensors for size 12 ... 40



## Ordering data – Proximity switches, inductive

Data sheets → Internet: sien

	Type of mounting	Thread	Contact	Connection	Part no.	Type
	With sensor bracket SI-DSM-S	M5	N/O contact	Cable, 2.5 m	★ 150370	SIEN-M5B-PS-K-L
				Plug	★ 150371	SIEN-M5B-PS-S-L
		M8	N/O contact	Cable, 2.5 m	★ 150386	SIEN-M8B-PS-K-L
				Plug	★ 150387	SIEN-M8B-PS-S-L

## Ordering data – Connecting cables


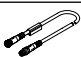
Data sheets → Internet: nebu

	Electrical connection, left	Electrical connection, right	Cable length [m]	Part no.	Type
	Straight socket, M8x1, 3-pin	Cable, open end, 3-wire	2.5	★ 541333	NEBU-M8G3-K-2.5-LE3
			5	★ 541334	NEBU-M8G3-K-5-LE3
	Angled socket, M8x1, 3-pin	Cable, open end, 3-wire	2.5	★ 541338	NEBU-M8W3-K-2.5-LE3
			5	★ 541341	NEBU-M8W3-K-5-LE3

## Connecting cables for position sensor SRBS

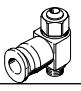
## Accessories – Connecting cables

Data sheets → Internet: nebu

	Electrical connection, left	Electrical connection, right	Cable length [m]	Part no.	Type
	Straight socket, M8x1, 4-pin	Cable, open end, 4-wire	2.5	541342	NEBU-M8G4-K-2.5-LE4
			5	541343	NEBU-M8G4-K-5-LE4
	Straight socket, M8x1, 4-pin	Straight plug M8x1, 4-pin	2.5	554035	NEBU-M8G4-K-2.5-M8G4

## Ordering data – One-way flow control valves

Data sheets → Internet: grla

	For size	Connection Thread	For tubing O.D.	Shut-off element	Part no.	Type
<b>For exhaust air</b>						
	6, 8	M3	3	Metal version	175041	GRLA-M3-QS-3
	12, 16, 25	M5	3		★ 193137	GRLA-M5-QS-3-D
			4		★ 193138	GRLA-M5-QS-4-D
32, 40	G1/8	3	★ 193142		GRLA-1/8-QS-3-D	
		4	★ 193143		GRLA-1/8-QS-4-D	
		6	★ 193144		GRLA-1/8-QS-6-D	
		8	★ 193145	GRLA-1/8-QS-8-D		

Festo core product range



Generally ready for dispatch from the factory within 24 hours

Generally ready for dispatch from the factory within 5 days