

Object and level detection with patented technology

CAPACITIVE SENSORS



Balluff's capacitive sensors detect fluids, granulates and powders in direct contact or through a non-metallic container wall. As stick-on sensors, they fit flexibly to the housing shape and are easily removable. Moisture, foam and deposits of any kind are compensated for, even through glass and plastic walls up to 10 mm thick. This makes them ideal as level detection sensors for conductive media while guaranteeing high application security.

Our capacitive sensors are available in various form factors, even especially small ones.

The most important benefits

- Contact-free and therefore wear-free
- Bounceless output signal
- Foam and residue compensation



PNP normally open	BCS001L BCS G06T4E1-PSM15C-EP02	BCS001R BCS G06T4D2-PSM15C-S49G	
Dimension	Ø 6.5 x 42 mm	Ø 6.5 x 54 mm	
Series	G06	G06	
Thread (A)	—	—	
Installation	for flush mounting	for flush mounting	
Connection	Cable, 2.00 m, PUR	Connector, M8x1 connector, 3-pin	
Switching frequency	100 Hz	100 Hz	
Interface	—	—	
Range	0.1...1.5 mm	0.1...1.5 mm	
Sensitivity	Switching distance adjustable	Switching distance adjustable	
Housing material	Stainless steel (1.4301)	Stainless steel (1.4301)	
Material sensing surface	PTFE	PTFE	
Ambient temperature	-10...70 °C	-10...70 °C	
Operating voltage U _b	11...30 VDC	11...30 VDC	
Approval/Conformity	CE, cULus	CE, cULus	
Protection degree	IP65	IP65	
Productview	Page 304	Page 304	



	BCS0026 BCS M08T4E1-PSM15C-EP02	BCS002A BCS M08T4E2-PSM15C-S49G	BCS002T BCS G10T4H-PSM40C-EP02	BCS00PU BCS M12BB11-PSC40D-EP02
	Ø 8 x 42 mm	Ø 8 x 54 mm	Ø 10 x 50 mm	Ø 12 x 61 mm
	M08	M08	G10	M12
	M8x1	M8x1	—	M12x1
	for flush mounting	for flush mounting	for flush mounting	for flush mounting
	Cable, 2.00 m, PUR	Connector, M8x1 connector, 3-pin	Cable, 2.00 m, PUR	Cable, 2.00 m, PUR
	100 Hz	100 Hz	100 Hz	100 Hz
	—	—	—	—
	0.1...1.5 mm	0.1...1.5 mm	1...4 mm	1...4 mm
	Switching distance adjustable	Switching distance adjustable	Switching distance adjustable	Switching distance adjustable
	Stainless steel (1.4301)	Stainless steel (1.4301)	Stainless steel (1.4301)	PBT
	PTFE	PTFE	PTFE	PBT
	-10...70 °C	-10...70 °C	-30...70 °C	-25...85 °C
	11...30 VDC	11...30 VDC	12...35 VDC	10...30 VDC
	CE, cULus	CE, cULus	CE, cULus	CE, cULus
	IP65	IP65	IP65	IP67
	Page 304	Page 304	Page 304	Page 304



PNP normally open	BCS00PJ BCS M12BBG2-PSC40D-S04K	BCS00AU BCS M12TTG1-PSM40C-ET02	
Dimension	Ø 12 x 75 mm	Ø 12 x 50 mm	
Series	M12	M12	
Thread (A)	M12x1	M12x1	
Installation	for flush mounting	for flush mounting	
Connection	Connector, M12x1 connector, 4-pin	Cable, 2.00 m, PUR	
Switching frequency	100 Hz	100 Hz	
Interface	—	—	
Range	1...4 mm	4 mm	
Sensitivity	Switching distance adjustable	—	
Housing material	PBT	PTFE	
Material sensing surface	PBT	PTFE	
Ambient temperature	-25...85 °C	-30...60 °C	
Operating voltage U _b	10...30 VDC	12...35 VDC	
Approval/Conformity	CE, cULus	CE, cULus	
Protection degree	IP67	IP65	
Productview	Page 304	Page 304	



BCS00R4 BCS M12B4I1-PSC40D-EP02	BCS00P0 BCS M12B4G2-PSC40D-S04K	BCS002Z BCS M12T4G1-PSM40C-EP02	BCS0037 BCS M12T4D2-PSM40C-S04G
Ø 12 x 61 mm	Ø 12 x 75 mm	Ø 12 x 50 mm	Ø 12 x 60 mm
M12	M12	M12	M12
M12x1	M12x1	M12x1	M12x1
for flush mounting	for flush mounting	for flush mounting	for flush mounting
Cable, 2.00 m, PUR	Connector, M12x1 connector, 4-pin	Cable, 2.00 m, PUR	Connector, M12x1 connector, 4-pin
100 Hz	100 Hz	100 Hz	100 Hz
—	—	—	—
1...4 mm	1...4 mm	1...4 mm	1...4 mm
Switching distance adjustable	Switching distance adjustable	Switching distance adjustable	Switching distance adjustable
Stainless steel (1.4305)	Stainless steel (1.4305)	Stainless steel (1.4301)	Stainless steel (1.4301)
PBT	PBT	PTFE	PTFE
-25...85 °C	-25...85 °C	-30...70 °C	-30...70 °C
10...30 VDC	10...30 VDC	12...35 VDC	12...35 VDC
CE, cULus	CE, cULus	CE, cULus	CE, cULus
IP67	IP67	IP65	IP65
Page 305	Page 305	Page 305	Page 305



PNP normally open	BCS00NZ BCS M18BBN1-PSC80D-EP02	BCS00M8 BCS M18BBI3-PSC80D-S04K	
NPN normally open	BCS00M2 BCS M18BBN1-NSC80D-EP02		
Dimension	Ø 18 x 75 mm	Ø 18 x 88.5 mm	
Series	M18	M18	
Thread (A)	M18x1	M18x1	
Installation	for flush mounting	for flush mounting	
Connection	Cable, 2.00 m, PUR	Connector, M12x1 connector, 4-pin	
Switching frequency	100 Hz	100 Hz	
Interface	—	—	
Range	1...8 mm	1...8 mm	
Sensitivity	Switching distance adjustable	Switching distance adjustable	
Housing material	PBT	PBT	
Material sensing surface	PBT	PBT	
Ambient temperature	-25...85 °C	-25...85 °C	
Operating voltage U_b	10...30 VDC	10...30 VDC	
Approval/Conformity	CE, cULus	CE, cULus	
Protection degree	IP67	IP67	
Productview	Page 305	Page 305	



	BCS00MF BCS M18B4I3-PSC80D-S04K	BCS003H BCS D22T403-PSM60C-EP02	BCS00HK BCS D22T402-PSM60C-EP02	BCS0033 BCS D22V4M1-PSC10C-EV02
	Ø 18 x 88.5 mm	Ø 22 x 4 mm	Ø 22 x 16 mm	Ø 22 x 65 mm
	M18	D22	D22	D22
	M18x1	—	—	—
	for flush mounting	for flush mounting	for flush mounting	for flush mounting
	Connector, M12x1 connector, 4-pin	Cable, 2.00 m, PUR	Cable, 2.00 m, PUR	Cable, 2.00 m, PVC
	100 Hz	100 Hz	100 Hz	100 Hz
	—	—	—	—
	1...8 mm	5.4...6.6 mm	5.4...6.6 mm	2...10 mm
	Switching distance adjustable	—	—	Switching distance adjustable
	Stainless steel (1.4305)	Stainless steel (1.4301)	Stainless steel (1.4301)	Stainless steel (1.4301)
	PBT	PTFE	PTFE	PVC
	-25...85 °C	-30...70 °C	-30...70 °C	-30...60 °C
	10...30 VDC	12...30 VDC	12...30 VDC	10...35 VDC
	CE, cULus	CE, cULus	CE	CE, cULus
	IP67	IP64	IP64	IP67
	Page 305	Page 305	Page 306	Page 306



PNP normally open	BCS003A BCS D30T401-PSC15C-EP02		
PNP normally open/normally closed programmable		BCS004H BCS D30B4M3-PPC20C-EP02	
NPN normally open	BCS003E BCS D30T401-NSC15C-EP02		
NPN normally closed	BCS003F BCS D30T401-NOC15C-EP02		
Dimension	Ø 30 x 4 mm	Ø 30 x 82 mm	
Series	D30	D30	
Thread (A)	—	—	
Installation	for flush mounting	for flush mounting	
Connection	Cable, 2.00 m, PUR	Cable, 2.00 m, PUR	
Switching frequency	100 Hz	100 Hz	
Interface	—	—	
Range	2...15 mm	2...20 mm	
Sensitivity	Switching distance adjustable	Switching distance adjustable	
Housing material	Stainless steel (1.4301)	Stainless steel (1.4301)	
Material sensing surface	PTFE	PBT	
Ambient temperature	-30...70 °C	-30...70 °C	
Operating voltage U _b	10...35 VDC	10...35 VDC	
Approval/Conformity	CE, cULus	CE, cULus	
Protection degree	IP67	IP66	
Productview	Page 306	Page 306	



	BCS00NM BCS M30BB11-PSC15D-EP02	BCS00NA BCS M30BB12-PSC15D-S04K		
			BCS004K BCS M30BBM3-PPC20C-EP02	BCS004M BCS M30BBM2-PPM20C-S04G
	Ø 30 x 65.5 mm	Ø 30 x 79 mm	Ø 30 x 82 mm	Ø 30 x 87 mm
	M30	M30	M30	M30
	M30x1.5	M30x1.5	M30x1.5	M30x1.5
	for flush mounting	for flush mounting	for flush mounting	for flush mounting
	Cable, 2.00 m, PUR	Connector, M12x1 connector, 4-pin	Cable, 2.00 m, PUR	Connector, M12x1 connector, 4-pin
	100 Hz	100 Hz	100 Hz	100 Hz
	—	—	—	—
	2...15 mm	2...15 mm	1...20 mm	1...20 mm
	Switching distance adjustable	Switching distance adjustable	Switching distance adjustable	Switching distance adjustable
	PBT	PBT	PBT	PBT
	PBT	PBT	PBT	PBT
	-25...85 °C	-25...85 °C	-30...70 °C	-30...70 °C
	10...30 VDC	10...30 VDC	10...35 VDC	10...35 VDC
	CE, cULus	CE, cULus	CE, cULus	CE, cULus
	IP67	IP67	IP66	IP66
	Page 306	Page 306	Page 306	Page 306



PNP normally open	BCS00MR BCS M30B4I2-PSC15D-S04K		
PNP normally open/normally closed programmable		BCS004T BCS M30B4M2-PPM20C-S04G	
PNP/NPN normally open/normally closed programmable			
Dimension	Ø 30 x 79 mm	Ø 30 x 87 mm	
Series	M30	M30	
Thread (A)	M30x1.5	M30x1.5	
Installation	for flush mounting	for flush mounting	
Connection	Connector, M12x1 connector, 4-pin	Connector, M12x1 connector, 4-pin	
Switching frequency	100 Hz	100 Hz	
Interface	—	—	
Range	2...15 mm	1...20 mm	
Sensitivity	Switching distance adjustable	Switching distance adjustable	
Housing material	Stainless steel (1.4305) PBT	Stainless steel (1.4301)	
Material sensing surface	PBT	PBT	
Ambient temperature	-25...85 °C	-30...70 °C	
Operating voltage U_b	10...30 VDC	10...35 VDC	
Approval/Conformity	CE, cULus	CE, cULus	
Protection degree	IP67	IP66	
Productview	Page 307	Page 307	



	BCS00UJ BCS G3400I2-PSC15D-S04K			
		BCS003K BCS D500002-YPC25C-EV02		
	Ø 34 x 77 mm	Ø 50 x 10 mm		
	G34	D50		
	—	—		
	for flush mounting	for flush mounting		
	Connector, M12x1 connector, 4-pin	Cable, 2.00 m, PVC		
	100 Hz	50 Hz		
	—	—		
	2...15 mm	2...25 mm		
	Switching distance adjustable	Switching distance adjustable		
	POM	POM		
	POM	POM		
	-5...85 °C	—		
	10...30 VDC	10...30 VDC		
	CE, cULus	CE, cULus		
	IP67	IP67		
	Page 307	Page 307		

Sensors

RFID

Machine Vision and
Optical Identification

Human Machine
Interfaces

Systems

Safety

Industrial Networking

Power Supply

Connectivity

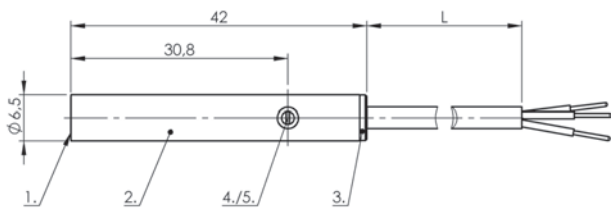
Accessories



PNP normally open	BCS012N BCS R08RRE-PIM80C-EP00,3-GS04	BCS012T BCS R08RRE-PSM80C-EP00,3-GS75	
PNP normally closed		BCS012U BCS R08RRE-POM80C-EP00,3-GS75	
NPN normally open		BCS012W BCS R08RRE-NSM80C-EP00,3-GS75	
NPN normally closed		BCS012Y BCS R08RRE-NOM80C-EP00,3-GS75	
PNP/NPN normally open/normally closed programmable			
Dimension	34 x 16 x 8 mm	34 x 16 x 8 mm	
Series	R08	R08	
Thread (A)	—	—	
Installation	for flush mounting	for flush mounting	
Connection	Cable with connector, M12x1 connector, 4-pin, 0.30 m, PUR	Cable with connector, 0.30 m, PUR	
Switching frequency	50 Hz	50 Hz	
Interface	IO-Link 1.1	—	
Range	1...8 mm	1...8 mm	
Sensitivity	Switching distance adjustable	Switching distance teachable	
Housing material	PP	PP	
Material sensing surface	PP	PP	
Ambient temperature	-25...70 °C	-25...70 °C	
Operating voltage U_b	18...30 VDC	12...30 VDC	
Approval/Conformity	UL Listed, CE, IO-Link	UL Listed, CE	
Protection degree	IP67	IP67	
Productview	Page 307	Page 307	

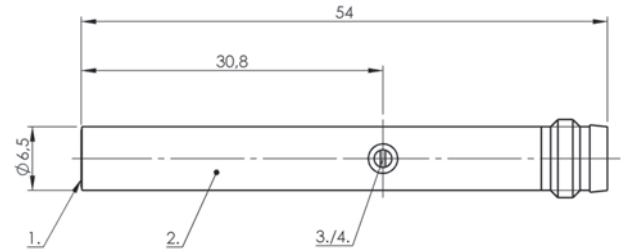


	BCS012A BCS R08RRE-PSM80C-EP02	BCS00U6 BCS Q40BBAA-PSC20C-EP00,3-GS49		
	BCS012C BCS R08RRE-POM80C-EP02	BCS00U5 BCS Q40BBAA-POC20C-EP00,3-GS49		
	BCS012E BCS R08RRE-NSM80C-EP02			
	BCS012F BCS R08RRE-NOM80C-EP02			
			BCS00TR BCS Q40BBAA-GPC20C-EP02	
	34 x 16 x 8 mm	40 x 40 x 10 mm	40 x 40 x 10 mm	
	R08	Q40	Q40	
	—	—	—	
	for flush mounting	for flush mounting	for flush mounting	
	Cable, 2.00 m, PUR	Cable with connector, M8x1 connector, 3-pin, 0.30 m, PUR	Cable, 2.00 m, PUR	
	50 Hz	100 Hz	100 Hz	
	—	—	—	
	1...8 mm	1...20 mm	1...20 mm	
	Switching distance teachable	Switching distance adjustable	Switching distance adjustable	
	PP	PBT	PBT	
	PP	PBT	PBT	
	-25...70 °C	-5...85 °C	-5...85 °C	
	12...30 VDC	10...30 VDC	10...30 VDC	
	CE, UL Listed	CE, cULus	CE, cULus	
	IP67	IP67	IP67	
	Page 307	Page 307	Page 308	



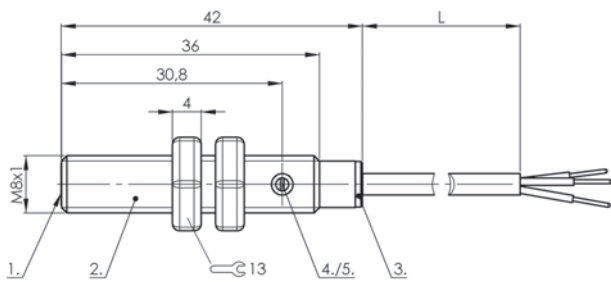
1) Sensing surface, 2) Housing, 3) Cover, 4) Potentiometer, 5) LED function indicator

BCS001L



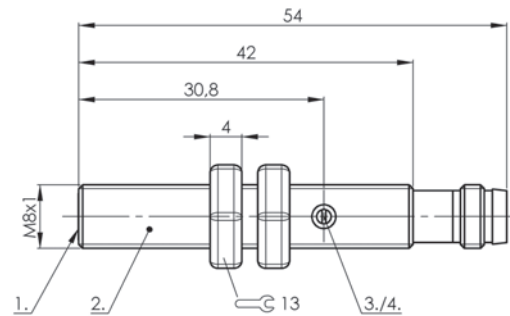
1) Sensing surface, 2) Housing, 3) Potentiometer, 4) LED function indicator

BCS001R



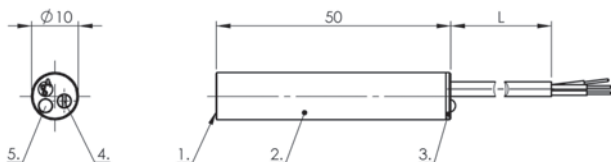
1) Sensing surface, 2) Housing, 3) Cover, 4) Potentiometer, 5) LED function indicator

BCS0026



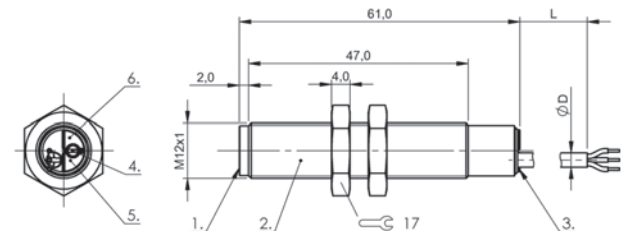
1) Sensing surface, 2) Housing, 3) Potentiometer, 4) LED function indicator

BCS002A



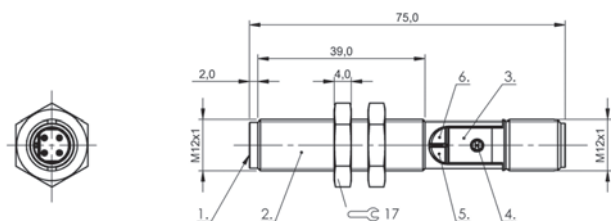
1) Sensing surface, 2) Housing, 3) Cover, 4) Potentiometer, 5) LED function indicator

BCS002T



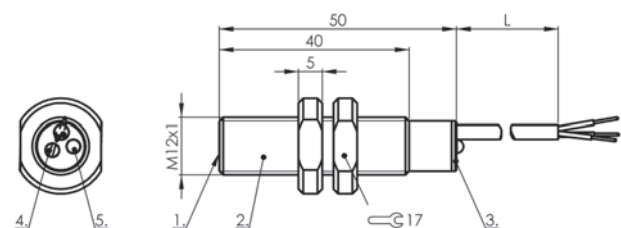
1) Sensing surface, 2) Housing, 3) Cover, 4) Potentiometer, 5) LED Power, 6) LED function indicator

BCS00PU



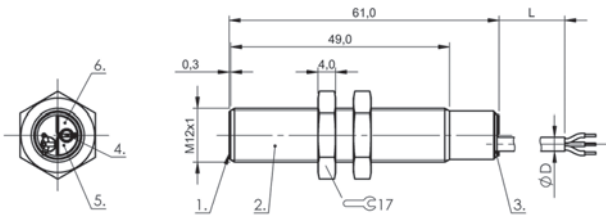
1) Sensing surface, 2) Housing, 3) Cover, 4) Potentiometer, 5) LED Power, 6) LED function indicator

BCS00PJ



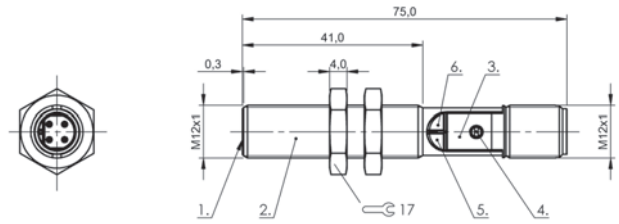
1) Sensing surface, 2) Housing, 3) Cover, 4) Potentiometer, 5) LED function indicator

BCS00AU



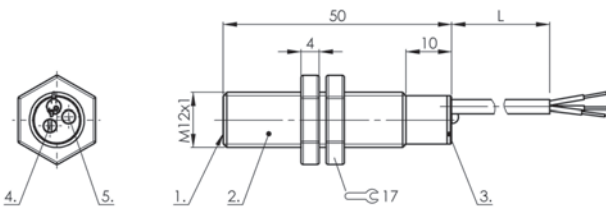
1) Sensing surface, 2) Housing, 3) Cover, 4) Potentiometer, 5) LED Power, 6) LED function indicator

BCS00R4



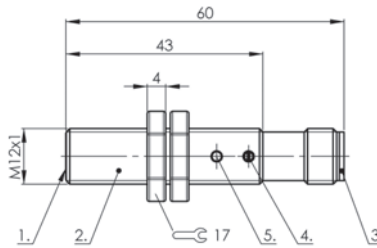
1) Sensing surface, 2) Housing, 3) Cover, 4) Potentiometer, 5) LED Power, 6) LED function indicator

BCS00P0



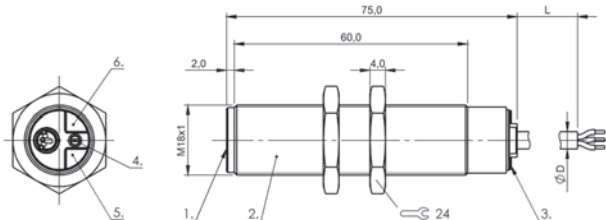
1) Sensing surface, 2) Housing, 3) Cover, 4) Potentiometer, 5) LED function indicator

BCS002Z



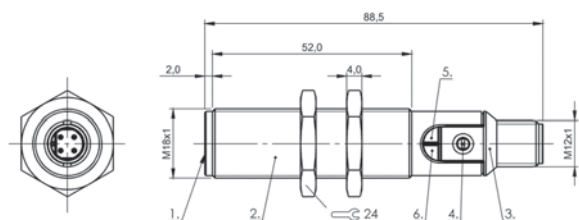
1) Sensing surface, 2) Housing, 3) Cover, 4) Potentiometer, 5) LED function indicator

BCS0037



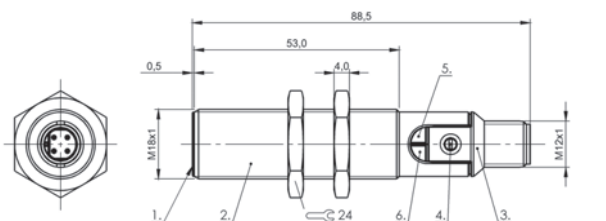
1) Sensing surface, 2) Housing, 3) Cover, 4) Potentiometer, 5) LED Power, 6) LED function indicator

BCS00M2, BCS00NZ



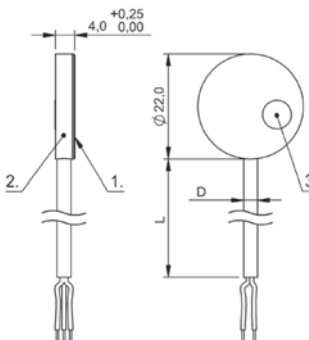
1) Sensing surface, 2) Housing, 3) Cover, 4) Potentiometer, 5) LED Power, 6) LED function indicator

BCS00M8



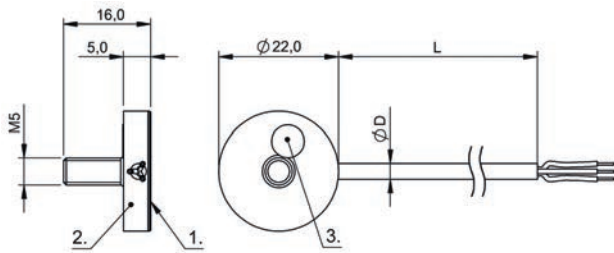
1) Sensing surface, 2) Housing, 3) Cover, 4) Potentiometer, 5) LED Power, 6) LED function indicator

BCS00MF



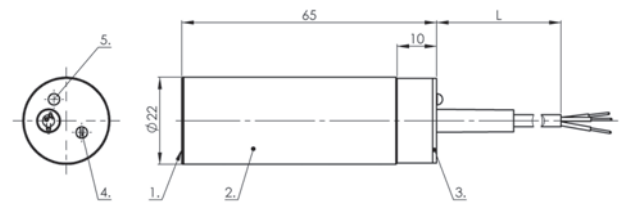
1) Sensing surface, 2) Housing, 3) Potentiometer sealed

BCS003H



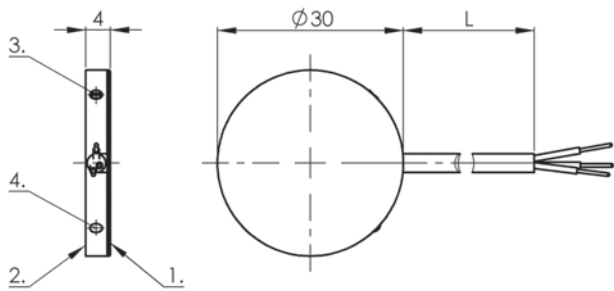
1) Sensing surface, 2) Housing, 3) Potentiometer sealed

BCS00HK



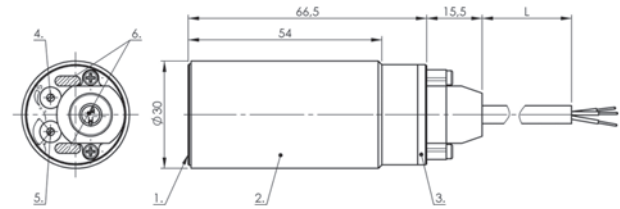
1) Sensing surface, 2) Housing, 3) Cover, 4) Potentiometer, 5) LED function indicator

BCS0033



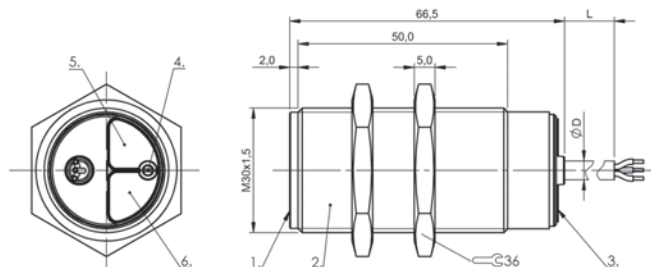
1) Sensing surface, 2) Housing, 3) Potentiometer, 4) LED function indicator

BCS003E, BCS003F, BCS003A



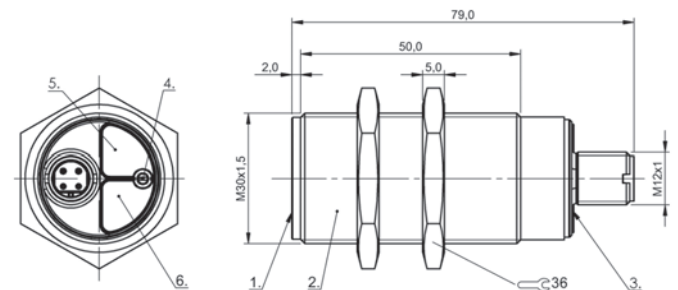
1) Sensing surface, 2) Housing, 3) Cover, 4) Potentiometer, 5) NO or NC selectable, 6) LED function indicator

BCS004H



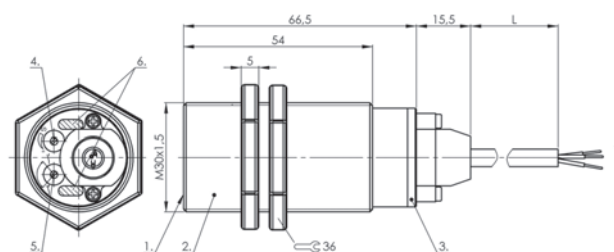
1) Sensing surface, 2) Housing, 3) Cover, 4) Potentiometer, 5) LED Power, 6) LED function indicator

BCS00NM



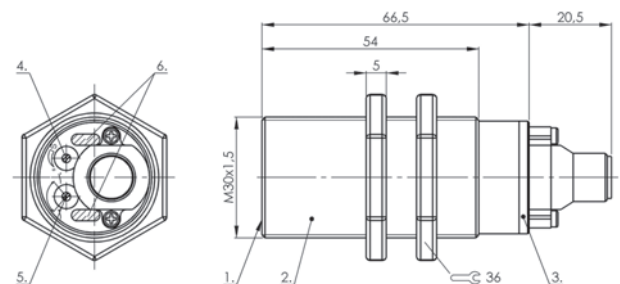
1) Sensing surface, 2) Housing, 3) Cover, 4) Potentiometer, 5) LED Power, 6) LED function indicator

BCS00NA



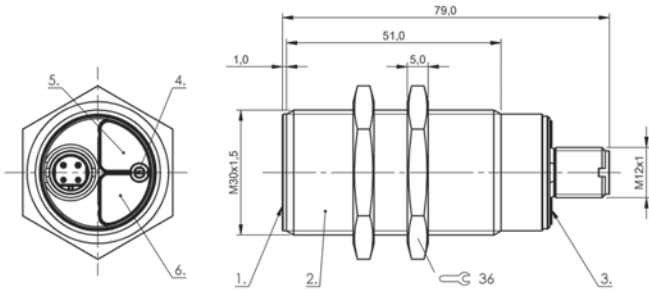
1) Sensing surface, 2) Housing, 3) Cover, 4) Potentiometer, 5) NO or NC selectable, 6) LED function indicator

BCS004K



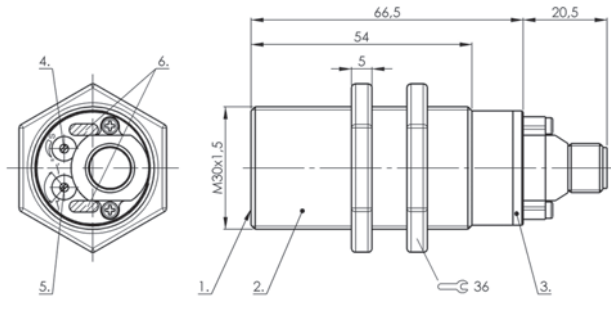
1) Sensing surface, 2) Housing, 3) Cover, 4) Potentiometer, 5) NO or NC selectable, 6) LED function indicator

BCS004M



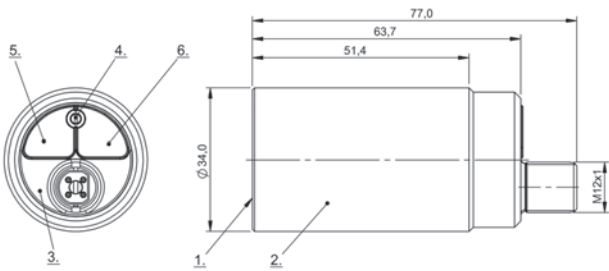
1) Sensing surface, 2) Housing, 3) Cover, 4) Potentiometer, 5) LED Power, 6) LED function indicator

BCS00MR



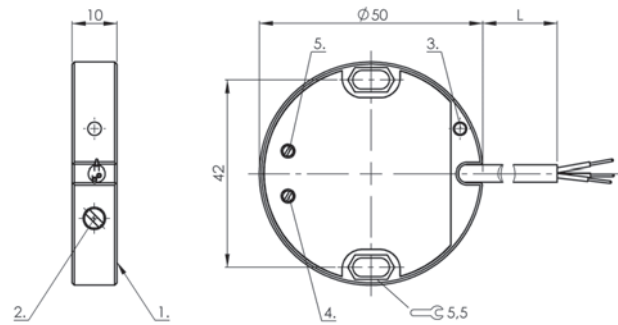
1) Sensing surface, 2) Housing, 3) Cover, 4) Potentiometer, 5) NO or NC selectable, 6) LED function indicator

BCS004T



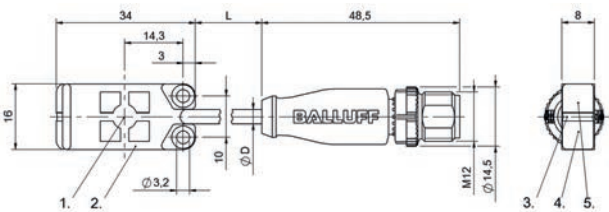
1) Sensing surface, 2) Housing, 3) Cover, 4) Potentiometer, 5) LED Power, 6) LED function indicator

BCS00UJ



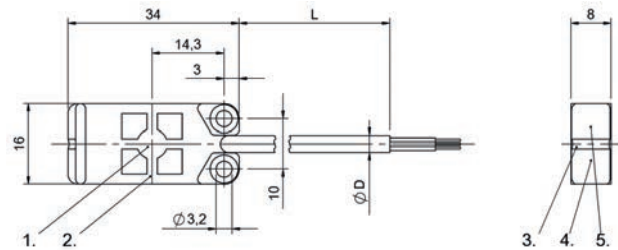
1) Sensing surface, 2) Potentiometer, 3) LED function indicator, 4) NO or NC selectable, 5) PNP or NPN selectable

BCS003K



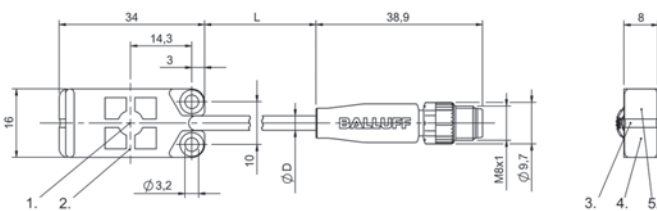
1) Sensing surface, 2) Housing, 3) Cover, 4) Power indicator green, 5) Function indicator yellow

BCS012N



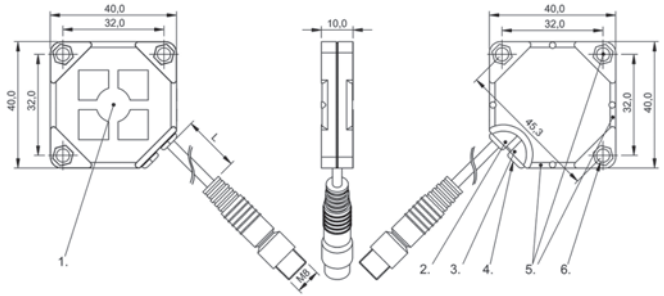
1) Sensing surface, 2) Housing, 3) Cover, 4) Power indicator green, 5) Function indicator yellow

BCS012E, BCS012F, BCS012A, BCS012C



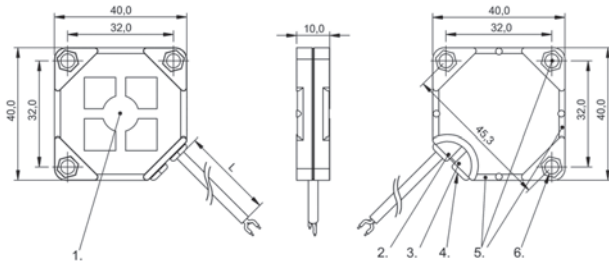
1) Sensing surface, 2) Housing, 3) Cover, 4) Power indicator green, 5) Function indicator yellow

BCS012W, BCS012Y, BCS012T, BCS012U



1) Sensing surface, 2) Power indicator green, 3) Function indicator yellow, 4) Potentiometer, 5) Fastening: Cable tie, 6) Fastening: screw 3xM3

BCS00U6, BCS00U5



1) Sensing surface, 2) Power indicator green, 3) Function indicator yellow, 4) Potentiometer, 5) Fastening: Cable tie, 6) Fastening: screw 3xM3

BCS00TR



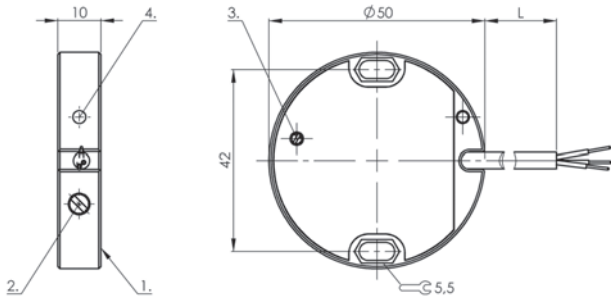
PNP normally open		BCS00UW BCS D50TT06-PSCFSC-ET02	
PNP normally closed		BCS00UY BCS D50TT06-POCFSC-ET02	
PNP normally open/normally closed programmable	BCS0084 BCS D500004-PPCFAC-EV02		
NPN normally open			
NPN normally closed			
Dimension	Ø 50 x 10 mm	Ø 50 x 10 mm	
Series	D50	D50	
Installation	flush with container outer wall	flush with container outer wall	
Connection	Cable, 2.00 m, PVC	Cable, 2.00 m, PTFE	
Switching frequency	2 Hz	2 Hz	
Interface	—	—	
Sensitivity	media-dependent, adjustable	media-dependent, adjustable	
Function	Smart Level 15	Smart Level 50	
Additional features	Electrically conductive media, Foam and residue compensation	Electrically conductive media, Foam and residue compensation	
Housing material	POM	PTFE	
Material sensing surface	POM	PTFE	
Ambient temperature	-10...60 °C	-10...60 °C	
Operating voltage U_b	10...35 VDC	10...35 VDC	
Approval/Conformity	CE, cULus	CE, cULus	
Protection degree	IP67	IP67	
Productview	Page 314	Page 314	



	BCS012P BCS R08RRE-PIMFHC-EP00,3-GS04	BCS012Z BCS R08RRE-PSMFHC-EP00,3-GS75	BCS012H BCS R08RRE-PSMFHC-EP02	
		BCS0130 BCS R08RRE-POMFHC-EP00,3-GS75	BCS012J BCS R08RRE-POMFHC-EP02	
		BCS0131 BCS R08RRE-NSMFHC-EP00,3-GS75	BCS012K BCS R08RRE-NSMFHC-EP02	
		BCS0132 BCS R08RRE-NOMFHC-EP00,3-GS75	BCS012L BCS R08RRE-NOMFHC-EP02	
	34 x 16 x 8 mm	34 x 16 x 8 mm	34 x 16 x 8 mm	
	R08	R08	R08	
	flush with container outer wall	flush with container outer wall	flush with container outer wall	
	Cable with connector, M12x1 connector, 4-pin, 0.30 m, PUR	Cable with connector, M8x1 connector, 4-pin, 0.30 m, PUR	Cable, 4-pin, 2.00 m, PUR	
	10 Hz	10 Hz	10 Hz	
	IO-Link 1.1	—	—	
	teachable depending on media	teachable depending on media	teachable depending on media	
	Smart Level 50	Smart Level 50	Smart Level 50	
	Electrically conductive media, Foam and residue compensation	Electrically conductive media, Foam and residue compensation	Electrically conductive media, Foam and residue compensation	
	PP	PP	PP	
	PP	PP	PP	
	-25...70 °C	-25...75 °C	-25...75 °C	
	18...30 VDC	12...30 VDC	12...30 VDC	
	UL Listed, IO-Link, CE	UL Listed, CE	CE, UL Listed	
	IP67	IP67	IP67	
	Page 314	Page 314	Page 314	

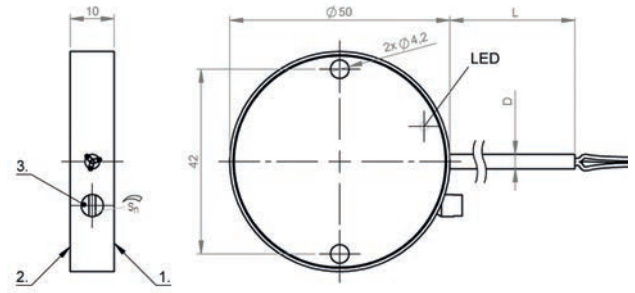


PNP normally open	BCS0134 BCS Q40BBAA-PSCFHC-EP00,3-GS49		
PNP normally closed	BCS0135 BCS Q40BBAA-POCFHC-EP00,3-GS49		
PNP/NPN normally open/normally closed programmable		BCS0133 BCS Q40BBAA-GPCFHC-EP02	
Dimension	40 x 40 x 10 mm	40 x 40 x 10 mm	
Series	Q40	Q40	
Installation	flush with container outer wall	flush with container outer wall	
Connection	Cable with connector, M8x1 connector, 3-pin, 0.30 m, PUR	Cable, 2.00 m, PUR	
Switching frequency	10 Hz	10 Hz	
Interface	—	—	
Sensitivity	media-dependent, adjustable	media-dependent, adjustable	
Function	Smart Level 50	Smart Level 50	
Additional features	Electrically conductive media, Foam and residue compensation	Electrically conductive media, Foam and residue compensation	
Housing material	PBT	PBT	
Material sensing surface	PBT	PBT	
Ambient temperature	-5...85 °C	-5...85 °C	
Operating voltage U_b	10...30 VDC	10...30 VDC	
Approval/Conformity	CE, cULus	CE, cULus	
Protection degree	IP67	IP67	
Productview	Page 314	Page 314	



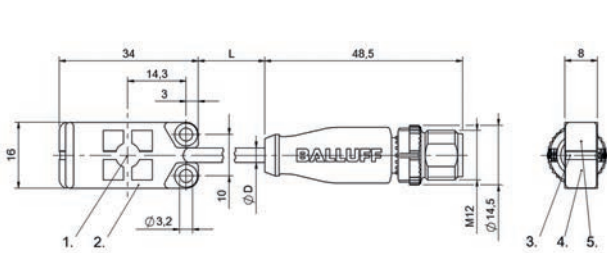
1) Sensing surface, 2) Potentiometer, 3) NO or NC selectable, 4) LED function indicator

BCS0084



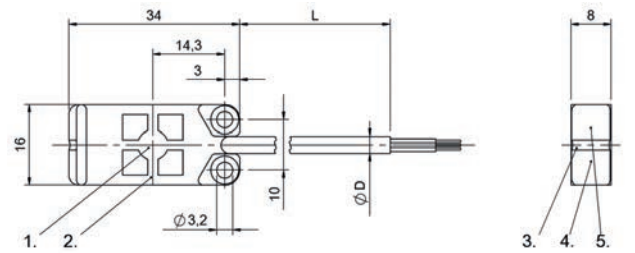
1) Sensing surface, 2) Housing, 3) Potentiometer, 4) LED function indicator

BCS00UW, BCS00UY



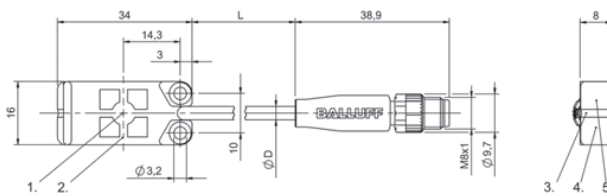
1) Sensing surface, 2) Housing, 3) Cover, 4) Power indicator green, 5) Function indicator yellow

BCS012P



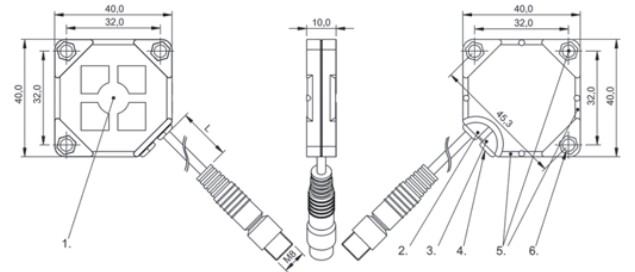
1) Sensing surface, 2) Housing, 3) Cover, 4) Power indicator green, 5) Function indicator yellow

BCS012K, BCS012L, BCS012H, BCS012J



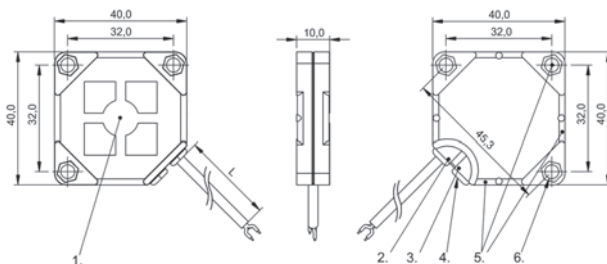
1) Sensing surface, 2) Housing, 3) Cover, 4) Power indicator green, 5) Function indicator yellow

BCS0131, BCS0132, BCS012Z, BCS0130



1) Sensing surface, 2) Power indicator green, 3) Function indicator yellow, 4) Potentiometer, 5) Fastening: Cable tie, 6) Fastening: screw 3xM3

BCS0134, BCS0135



1) Sensing surface, 2) Power indicator green, 3) Function indicator yellow, 4) Potentiometer, 5) Fastening: Cable tie, 6) Fastening: screw 3xM3

BCS0133



	BCS001Y BCS G06T4E1-PSM30G-EP02	BCS0022 BCS G06T4D2-PSM30G-S49G	
PNP normally open			
PNP normally closed			
NPN normally closed			
Dimension	Ø 6.5 x 42 mm	Ø 6.5 x 54 mm	
Series	G06	G06	
Thread (A)	—	—	
Installation	non-flush	non-flush	
Connection	Cable, 2.00 m, PUR	Connector, M8x1 connector, 3-pin	
Switching frequency	100 Hz	100 Hz	
Interface	—	—	
Range	0.1...3 mm	0.1...3 mm	
Sensitivity	Switching distance adjustable	Switching distance adjustable	
Function	—	—	
Additional features	—	—	
Housing material	Stainless steel (1.4301)	Stainless steel (1.4301)	
Material sensing surface	PTFE	PTFE	
Ambient temperature	-10...70 °C	-10...70 °C	
Operating voltage U _b	11...30 VDC	11...30 VDC	
Approval/Conformity	CE, cULus	CE, cULus	
Protection degree	IP65	IP65	
Productview	Page 330	Page 330	



	BCS002M BCS M08T4E2-PSM30G-S49G	BCS00R0 BCS M12BBG1-PSC80H-EP02	BCS00PN BCS M12BBE2-PSC80H-S04K	BCS006Z BCS M12TTG1-PSM80G-ET02
		BCS00R1 BCS M12BBG1-POC80H-EP02	BCS00PP BCS M12BBE2-POC80H-S04K	BCS0070 BCS M12TTG1-POM80G-ET02
				BCS0072 BCS M12TTG1-NOM80G-ET02
	Ø 8 x 54 mm	Ø 12 x 61 mm	Ø 12 x 75 mm	Ø 12 x 53 mm
	M08	M12	M12	M12
	M8x1	M12x1	M12x1	M12x1
	non-flush	non-flush	non-flush	non-flush
	Connector, M8x1 connector, 3-pin	Cable, 2.00 m, PUR	Connector, M12x1 connector, 4-pin	Cable, 2.00 m, PTFE
	100 Hz	100 Hz	100 Hz	100 Hz
	—	—	—	—
	0.1...3 mm	1...8 mm	1...8 mm	1...8 mm
	Switching distance adjustable	Switching distance adjustable	Switching distance adjustable	Switching distance adjustable
	—	—	—	—
	—	—	—	—
	Stainless steel (1.4301)	PBT	PBT	PTFE
	PTFE	PBT	PBT	PTFE
	-10...70 °C	-25...85 °C	-25...85 °C	-30...70 °C
	11...30 VDC	10...30 VDC	10...30 VDC	12...35 VDC
	CE, cULus	CE, cULus	CE, cULus	CE, cULus
	IP65	IP67	IP67	IP65
	Page 330	Page 330	Page 330	Page 330



PNP normally open	BCS00PC BCS M12B4G1-PSC80H-EP02	BCS00P4 BCS M12B4E2-PSC80H-S04K	
PNP normally closed			
Dimension	Ø 12 x 61 mm	Ø 12 x 75 mm	
Series	M12	M12	
Thread (A)	M12x1	M12x1	
Installation	non-flush	non-flush	
Connection	Cable, 2.00 m, PUR	Connector	
Switching frequency	100 Hz	100 Hz	
Interface	—	—	
Range	1...8 mm	1...8 mm	
Sensitivity	Switching distance adjustable	Switching distance adjustable	
Function	—	—	
Additional features	—	—	
Housing material	Stainless steel (1.4305)	Stainless steel (1.4305)	
Material sensing surface	PBT	PBT	
Ambient temperature	-25...85 °C	-25...85 °C	
Operating voltage U_b	10...30 VDC	10...30 VDC	
Approval/Conformity	CE, cULus	CE, cULus	
Protection degree	IP67	IP67	
Productview	Page 330	Page 330	



	BCS0062 BCS M12T4D2-PSM80G-S04G	BCS007N BCS M18VV11-PSCFAG-DV02	BCS008T BCS M18VVN-PSCFAG-S49G	BCS008A BCS M18TT12-PSCFAG-AT02
		BCS007P BCS M18VV11-POCFAG-DV02		BCS008C BCS M18TT12-POCFAG-AT02
	Ø 12 x 60 mm	Ø 18 x 70 mm	Ø 18 x 70 mm	Ø 18 x 73 mm
	M12	M18	M18	M18
	M12x1	M18x1	M18x1	M18x1
	non-flush	non-flush	non-flush	non-flush
	Connector, M12x1 connector, 4-pin	Cable, 2.00 m, PVC	Connector, M8x1 connector, 3-pin	Cable, 2.00 m, PTFE
	100 Hz	2 Hz	2 Hz	2 Hz
	—	—	—	—
	1...8 mm	—	—	—
	Switching distance adjustable	media-dependent, adjustable	media-dependent, adjustable	media-dependent, adjustable
	—	Smart Level 15	Smart Level 15	Smart Level 15
	—	Electrically conductive media, Foam and residue compensation	Electrically conductive media, Foam and residue compensation	Electrically conductive media, Foam and residue compensation
	Stainless steel (1.4301)	PVC	PVC	PTFE
	PTFE	PVC	PVC	PTFE
	-30...70 °C	-10...60 °C	-10...60 °C	-10...60 °C
	12...35 VDC	10...35 VDC	10...35 VDC	10...35 VDC
	CE, cULus	CE, cULus	CE, cULus	CE, cULus
	IP65	IP66	IP66	IP66
	Page 330	Page 330	Page 331	Page 331



PNP normally open	BCS00LL BCS M18BBH1-PSC15H-EP02	BCS00LM BCS M18BBG2-PSC15H-S04K	
PNP normally closed		BCS00LT BCS M18BBG2-POC15H-S04K	
NPN normally open	BCS00LZ BCS M18BBH1-NSC15H-EP02		
NPN normally closed	BCS00M0 BCS M18BBH1-NOC15H-EP02		
Dimension	Ø 18 x 75.5 mm	Ø 18 x 88.5 mm	
Series	M18	M18	
Thread (A)	M18x1	M18x1	
Installation	non-flush	non-flush	
Connection	Cable, 2.00 m, PUR	Connector, M12x1 connector, 4-pin	
Switching frequency	100 Hz	100 Hz	
Interface	—	—	
Range	2...15 mm	2...15 mm	
Sensitivity	Switching distance adjustable	Switching distance adjustable	
Function	—	—	
Additional features	—	—	
Housing material	PBT	PBT	
Material sensing surface	PBT	PBT	
Ambient temperature	-25...85 °C	-25...85 °C	
Operating voltage U_b	10...30 VDC	10...30 VDC	
Approval/Conformity	CE, cULus	CE, cULus	
Protection degree	IP67	IP67	
Productview	Page 331	Page 331	



	BCS0073 BCS M18TTI2-PSC15G-AT02	BCS00ME BCS M18B4G2-PSC15H-S04K	BCS006A BCS M18T4G2-PSC15G-S04G	
		BCS00ML BCS M18B4G2-POC15H-S04K	BCS006C BCS M18T4G2-POC15G-S04G	BCS005T BCS M18T4I1-POC15G-DV02
	BCS0076 BCS M18TTI2-NOC15G-AT02			
	Ø 18 x 73 mm	Ø 18 x 88.5 mm	Ø 18 x 75 mm	Ø 18 x 65 mm
	M18	M18	M18	M18
	M18x1	M18x1	M18x1	M18x1
	non-flush	non-flush	non-flush	non-flush
	Cable, 2.00 m, PTFE	Connector, M12x1 connector, 4-pin	Connector, M12x1 connector, 4-pin	Cable, 2.00 m, PVC
	100 Hz	100 Hz	100 Hz	100 Hz
	—	—	—	—
	2...15 mm	2...15 mm	2...15 mm	2...15 mm
	Switching distance adjustable	Switching distance adjustable	Switching distance adjustable	Switching distance adjustable
	—	—	—	—
	—	—	—	—
	PTFE	Stainless steel (1.4305)	Stainless steel (1.4301)	Stainless steel (1.4301)
	PTFE	PBT	PTFE	PTFE
	-30...70 °C	-25...85 °C	-30...70 °C	-30...70 °C
	10...35 VDC	10...30 VDC	10...35 VDC	10...35 VDC
	CE, cULus	CE, cULus	CE, cULus	CE, cULus
	IP67	IP67	IP67	IP67
	Page 331	Page 331	Page 331	Page 331



PNP normally open		BCS0086 BCS M30TTH2-PSCFAG-AT02	
PNP normally closed		BCS0087 BCS M30TTH2-POCFAG-AT02	
PNP normally open/normally closed programmable	BCS007Y BCS M30BBM2-PPCFAG-S04G		
Dimension	Ø 30 x 87 mm	Ø 30 x 72 mm	
Series	M30	M30	
Thread (A)	M30x1.5	M30x1.5	
Installation	non-flush	non-flush	
Connection	Connector, M12x1 connector, 4-pin	Cable, 2.00 m, PTFE	
Switching frequency	2 Hz	2 Hz	
Interface	—	—	
Range	—	—	
Sensitivity	media-dependent, adjustable	media-dependent, adjustable	
Function	Smart Level 15	Smart Level 15	
Additional features	Electrically conductive media, Foam and residue compensation	Electrically conductive media, Foam and residue compensation	
Housing material	PBT	PTFE	
Material sensing surface	PBT	PTFE	
Ambient temperature	-10...60 °C	-10...60 °C	
Operating voltage U _b	10...35 VDC	10...35 VDC	
Approval/Conformity	CE, cULus	CE, cULus	
Protection degree	IP67	IP67	
Productview	Page 331	Page 332	



	BCS00NT BCS M30BBE1-PSC25H-EP02	BCS00NH BCS M30BBE2-PSC25H-S04K		BCS0077 BCS M30TTH2-PSC30G-AT02
				BCS0078 BCS M30TTH2-POC30G-AT02
			BCS007F BCS M30BBM2-PPC30G-S04G	
	Ø 30 x 65.5 mm	Ø 30 x 78.5 mm	Ø 30 x 87 mm	Ø 30 x 72 mm
	M30	M30	M30	M30
	M30x1.5	M30x1.5	M30x1.5	M30x1.5
	non-flush	non-flush	non-flush	non-flush
	Cable, 2.00 m, PUR	Connector, M12x1 connector, 4-pin	Connector, M12x1 connector, 4-pin	Cable, 2.00 m, PTFE
	100 Hz	100 Hz	100 Hz	100 Hz
	—	—	—	—
	1...25 mm	1...25 mm	1...30 mm	2...30 mm
	Switching distance adjustable	Switching distance adjustable	Switching distance adjustable	Switching distance adjustable
	—	—	—	—
	—	—	—	—
	PBT	PBT	PBT	PTFE
	PBT	PBT	PBT	PTFE
	-25...85 °C	-25...85 °C	-30...70 °C	-30...70 °C
	10...30 VDC	10...30 VDC	10...35 VDC	10...35 VDC
	CE, cULus	CE, cULus	CE, cULus	CE, cULus
	IP67	IP67	IP66	IP67
	Page 332	Page 332	Page 332	Page 332



PNP normally open	BCS00N6 BCS M30B4E1-PSC25H-EP02	BCS00MY BCS M30B4E2-PSC25H-S04K	
PNP normally open/normally closed programmable			
NPN normally closed	BCS00N9 BCS M30B4E1-NOC25H-EP02		
Dimension	Ø 30 x 65.5 mm	Ø 30 x 78.5 mm	
Series	M30	M30	
Thread (A)	M30x1.5	M30x1.5	
Installation	non-flush	non-flush	
Connection	Cable, 2.00 m, PUR	Connector, M12x1 connector, 4-pin	
Switching frequency	100 Hz	100 Hz	
Interface	—	—	
Range	1...25 mm	1...25 mm	
Sensitivity	Switching distance adjustable	Switching distance adjustable	
Function	—	—	
Additional features	—	—	
Housing material	Stainless steel (1.4305)	Stainless steel (1.4305)	
Material sensing surface	PBT	PBT	
Ambient temperature	-25...85 °C	-25...85 °C	
Operating voltage U _b	10...30 VDC	10...30 VDC	
Approval/Conformity	CE, cULus	CE, cULus	
Protection degree	IP67	IP67	
Productview	Page 332	Page 332	



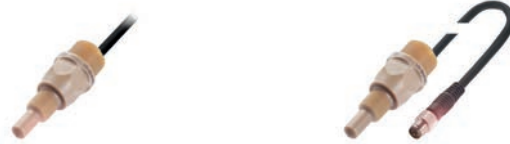
	BCS007L BCS M30T4M2-PPC30G-S04G	BCS0105 BCS S44KK01-PSCFAG-EP00,3-GS49	BCS010L BCS S44KK01-GPCFAG-EP02	BCS00ZL BCS S44KK01-PSCFNG-EP00,3-GS49
	Ø 30 x 86.5 mm	Ø 12 x 62.5 mm	Ø 12 x 62.5 mm	Ø 12 x 62.5 mm
	M30	S44	S44	S44
	M30x1.5	M12x1	M12x1	M12x1
	non-flush	non-flush	non-flush	non-flush
	Connector, M12x1 connector, 4-pin	Cable with connector, M8x1 connector, 3-pin, 0.30 m, PUR	Cable, 2.00 m, PUR	Cable with connector, M8x1 connector, 3-pin, 0.30 m, PUR
	100 Hz	5 Hz	5 Hz	10 Hz
	—	—	—	—
	1...30 mm	—	—	—
	Switching distance adjustable	media-dependent, adjustable	media-dependent, adjustable	media-dependent, adjustable
	—	Smart Level 15	Smart Level 15	—
	—	Electrically conductive media, Foam and residue compensation	Electrically conductive media, Foam and residue compensation	—
	Stainless steel (1.4301)	PEEK	PEEK	PEEK
	PTFE	PEEK	PEEK	PEEK
	-30...70 °C	-5...105 °C	-5...105 °C	-5...105 °C
	10...35 VDC	10...30 VDC	10...30 VDC	10...30 VDC
	CE, cULus	CE	CE	CE
	IP66	IP67	IP67	IP67
	Page 332	Page 332	Page 332	Page 332



PNP normally open		BCS010F BCS S44KK03-PSCFAG-EP00,3-GS49	
PNP normally closed			
PNP/NPN normally open/normally closed codierbar	BCS0102 BCS S44KK01-GPCFNG-EP02		
Dimension	Ø 12 x 62.5 mm	Ø 13.7 x 62.5 mm	
Series	S44	S44	
Thread (A)	M12x1	NPT 1/4"	
Installation	non-flush	non-flush	
Connection	Cable, 2.00 m, PUR	Cable with connector, M8x1 connector, 3-pin, 0.30 m, PUR	
Switching frequency	10 Hz	5 Hz	
Interface	—	—	
Range	—	—	
Sensitivity	media-dependent, adjustable	media-dependent, adjustable	
Function	—	Smart Level 15	
Additional features	—	Electrically conductive media, Foam and residue compensation	
Housing material	PEEK	PEEK	
Material sensing surface	PEEK	PEEK	
Ambient temperature	-5...105 °C	-5...105 °C	
Operating voltage U _b	10...30 VDC	10...30 VDC	
Approval/Conformity	CE	CE	
Protection degree	IP67	IP67	
Productview	Page 332	Page 333	



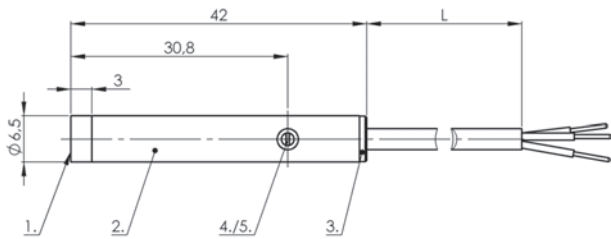
	BCS010N BCS S44KK03-GPCFAG-EP02	BCS00ZY BCS S44KK03-PSCFNG-EP00,3-GS49		BCS0109 BCS S44KK02-PSCFAG-EP00,3-GS49
				BCS010A BCS S44KK02-POCFAG-EP00,3-GS49
	BCS010N BCS S44KK03-GPCFAG-EP02		BCS0104 BCS S44KK03-GPCFNG-EP02	
	Ø 13.7 x 62.5 mm	Ø 13.7 x 62.5 mm	Ø 13.7 x 62.5 mm	Ø 11.9 x 62.5 mm
	S44	S44	S44	S44
	NPT 1/4"	NPT 1/4"	NPT 1/4"	G 1/4"
	non-flush	non-flush	non-flush	non-flush
	Cable, 2.00 m, PUR	Cable with connector, M8x1 connector, 3-pin, 0.30 m, PUR	Cable, 2.00 m, PUR	Cable with connector, M8x1 connector, 3-pin, 0.30 m, PUR
	5 Hz	10 Hz	10 Hz	5 Hz
	—	—	—	—
	—	—	—	—
	media-dependent, adjustable	media-dependent, adjustable	media-dependent, adjustable	media-dependent, adjustable
	Smart Level 15	—	—	Smart Level 15
	Electrically conductive media, Foam and residue compensation	—	—	Electrically conductive media, Foam and residue compensation
	PEEK	PEEK	PEEK	PEEK
	PEEK	PEEK	PEEK	PEEK
	-5...105 °C	-5...105 °C	-5...105 °C	-5...105 °C
	10...30 VDC	10...30 VDC	10...30 VDC	10...30 VDC
	CE	CE	CE	CE
	IP67	IP67	IP67	IP67
	Page 333	Page 333	Page 333	Page 333



PNP normally open		BCS00ZR BCS S44KK02-PSCFNG-EP00,3-GS49	
PNP normally closed			
NPN normally open			
NPN normally closed			
PNP/NPN normally open/normally closed codierbar	BCS010M BCS S44KK02-GPCFAG-EP02		
Dimension	Ø 11.9 x 62.5 mm	Ø 11.9 x 62.5 mm	
Series	S44	S44	
Thread (A)	G 1/4"	G 1/4"	
Installation	non-flush	non-flush	
Connection	Cable, 2.00 m, PUR	Cable with connector, M8x1 connector, 3-pin, 0.30 m, PUR	
Switching frequency	5 Hz	10 Hz	
Interface	—	—	
Range	—	—	
Sensitivity	media-dependent, adjustable	media-dependent, adjustable	
Function	Smart Level 15	—	
Additional features	Electrically conductive media, Foam and residue compensation	—	
Housing material	PEEK	PEEK	
Material sensing surface	PEEK	PEEK	
Ambient temperature	-5...105 °C	-5...105 °C	
Operating voltage U _b	10...30 VDC	10...30 VDC	
Approval/Conformity	CE	CE	
Protection degree	IP67	IP67	
Productview	Page 333	Page 333	

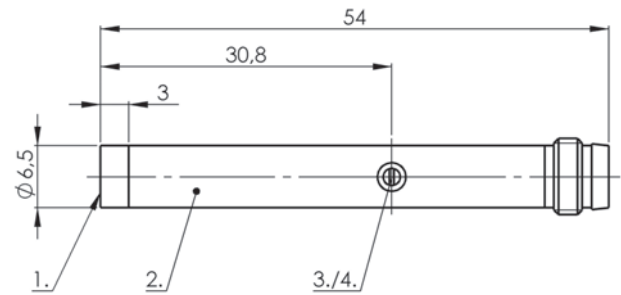


	BCS011L BCS S04K501-PICFNG-S04G-T51	BCS011E BCS S04K501-PICFNG-S04G-T50	BCS011F BCS S04K501-PSCFNG-S04G-T50
			BCS011H BCS S04K501-POCFNG-S04G-T50
			BCS011J BCS S04K501-NSCFNG-S04G-T50
			BCS011K BCS S04K501-NOCFNG-S04G-T50
BCS0103 BCS S44KK02-GPCFNG-EP02			
Ø 11.9 x 62.5 mm	Ø 30 x 96 mm	Ø 30 x 96 mm	Ø 30 x 96 mm
S44	S04	S04	S04
G 1/4"	G 1/2"	G 1/2"	G 1/2"
non-flush	non-flush	non-flush	non-flush
Cable, 2.00 m, PUR	Connector, M12x1 connector, 4-pin	Connector, M12x1 connector, 4-pin	Connector, M12x1 connector, 4-pin
10 Hz	5 Hz	5 Hz	5 Hz
—	IO-Link 1.1	IO-Link 1.1	—
—	—	—	—
media-dependent, adjustable	teachable depending on media	teachable depending on media	teachable depending on media
—	Smart Level 100	Smart Level 100	Smart Level 100
—	Electrically conductive media, Foam and residue compensation	Electrically conductive media, Foam and residue compensation	Electrically conductive media, Foam and residue compensation
PEEK	Stainless steel (1.4404)	Stainless steel (1.4404)	Stainless steel (1.4404)
PEEK	PEEK	PEEK	PEEK
-5...105 °C	-10...85 °C	-40...85 °C	-40...85 °C
10...30 VDC	18...30 VDC	18...30 VDC	12...30 VDC
CE	IO-Link, EHEDG conformal, FDA compliant, CE	CE, FDA compliant, EHEDG conformal, IO-Link	CE, FDA compliant, EHEDG conformal
IP67	IP68	IP68	IP68
Page 333	Page 333	Page 333	Page 333



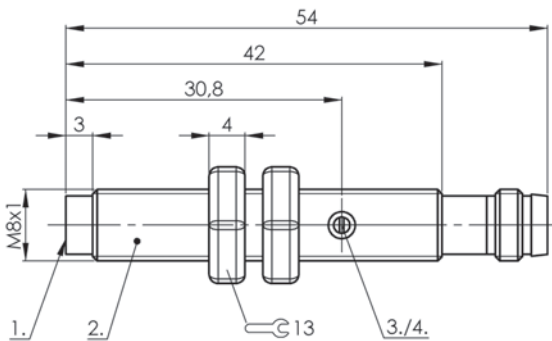
1) Sensing surface, 2) Housing, 3) Cover, 4) Potentiometer, 5) LED function indicator

BCS001Y



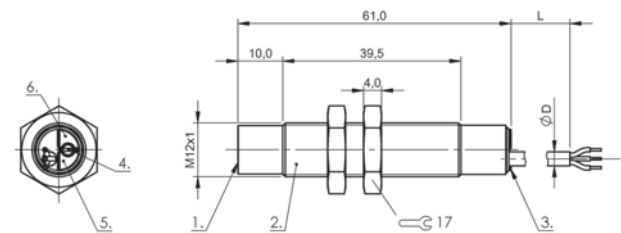
1) Sensing surface, 2) Housing, 3) Potentiometer, 4) LED function indicator

BCS0022



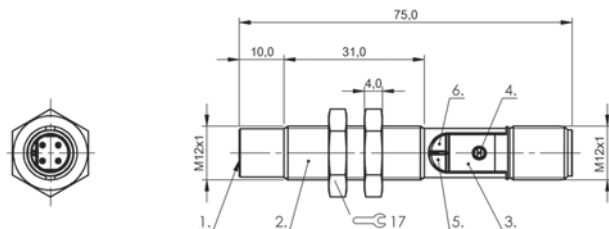
1) Sensing surface, 2) Housing, 3) Potentiometer, 4) LED function indicator

BCS002M



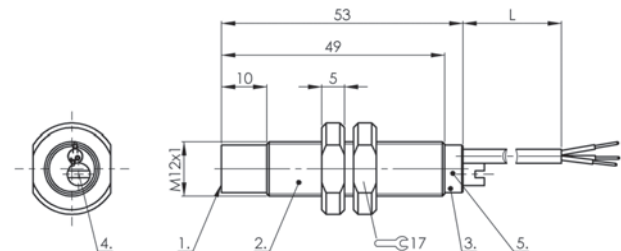
1) Sensing surface, 2) Housing, 3) Cover, 4) Potentiometer, 5) LED Power, 6) LED function indicator

BCS00R0, BCS00R1, BCS00PC



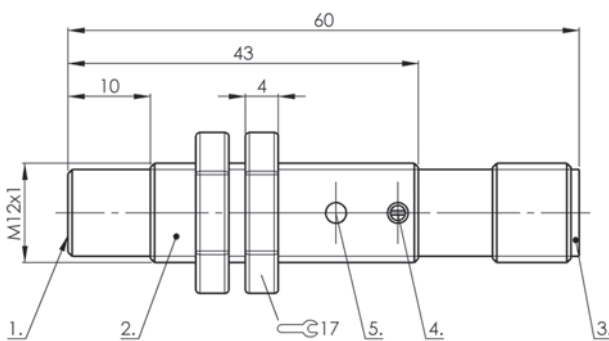
1) Sensing surface, 2) Housing, 3) Cover, 4) Potentiometer, 5) LED Power, 6) LED function indicator

BCS00PN, BCS00PP, BCS00P4



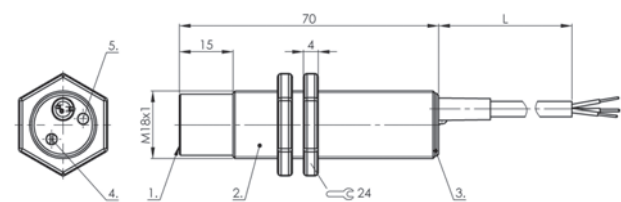
1) Sensing surface, 2) Housing, 3) Cover, 4) Potentiometer, 5) LED function indicator

BCS0072, BCS006Z, BCS0070



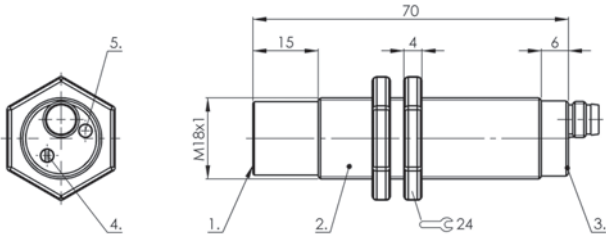
1) Sensing surface, 2) Housing, 3) Cover, 4) Potentiometer, 5) LED function indicator

BCS0062



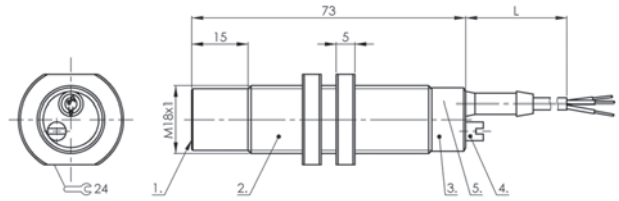
1) Sensing surface, 2) Housing, 3) Cover, 4) Potentiometer, 5) LED function indicator

BCS007N, BCS007P



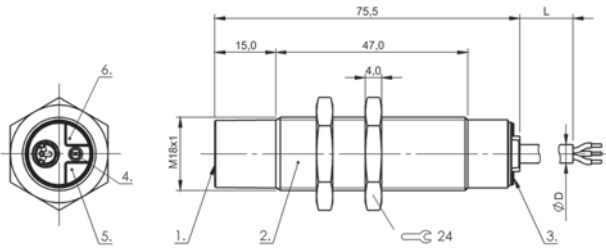
1) Sensing surface, 2) Housing, 3) Cover, 4) Potentiometer, 5) LED function indicator

BCS008T



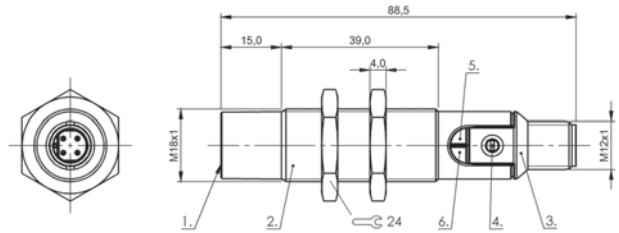
1) Sensing surface, 2) Housing, 3) Cover, 4) Potentiometer, 5) LED function indicator

BCS008A, BCS008C



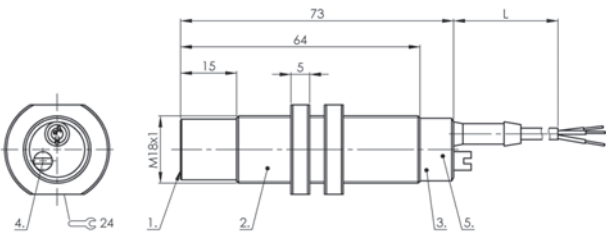
1) Sensing surface, 2) Housing, 3) Cover, 4) Potentiometer, 5) LED Power, 6) LED function indicator

BCS00LZ, BCS00M0, BCS00LL



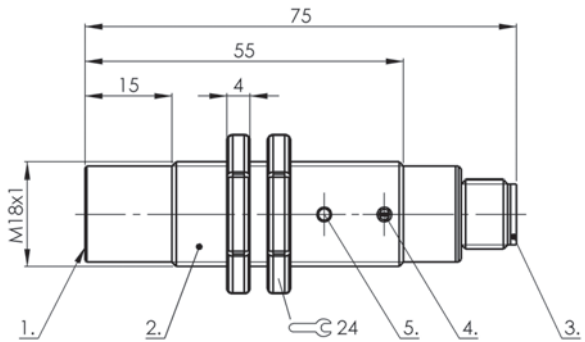
1) Sensing surface, 2) Housing, 3) Cover, 4) Potentiometer, 5) LED Power, 6) LED function indicator

BCS00LM, BCS00LT, BCS00ME, BCS00ML



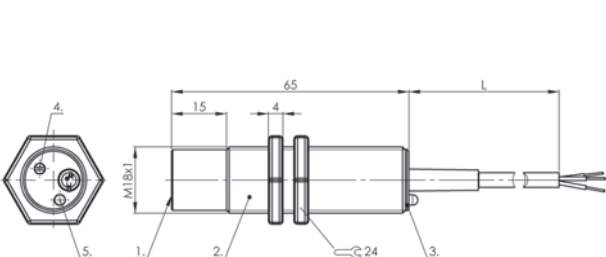
1) Sensing surface, 2) Housing, 3) Cover, 4) Potentiometer, 5) LED function indicator

BCS0076, BCS0073



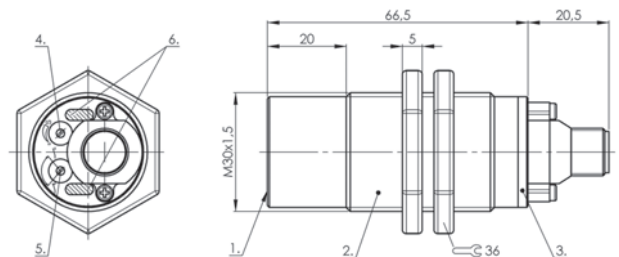
1) Sensing surface, 2) Housing, 3) Cover, 4) Potentiometer, 5) LED function indicator

BCS006A, BCS006C



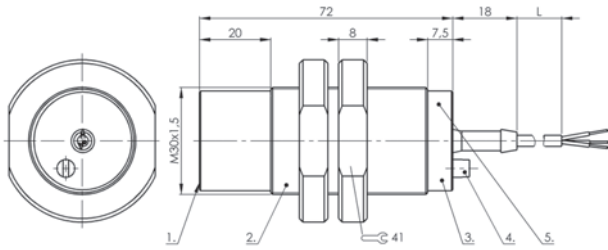
1) Sensing surface, 2) Housing, 3) Cover, 4) Potentiometer, 5) LED function indicator

BCS005T



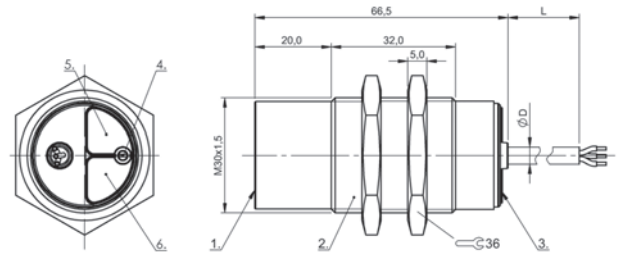
1) Sensing surface, 2) Housing, 3) Cover, 4) Potentiometer, 5) NO or NC selectable, 6) LED function indicator

BCS007Y



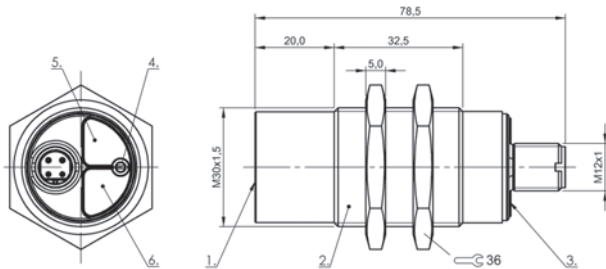
1) Sensing surface, 2) Housing, 3) Cover, 4) Potentiometer, 5) LED function indicator

BCS0086, BCS0087



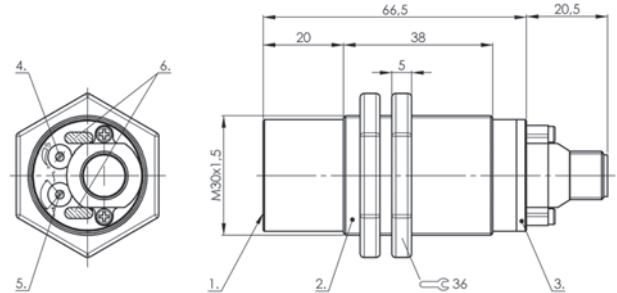
1) Sensing surface, 2) Housing, 3) Cover, 4) Potentiometer, 5) LED Power, 6) LED function indicator

BCS00NT, BCS00N9, BCS00N6



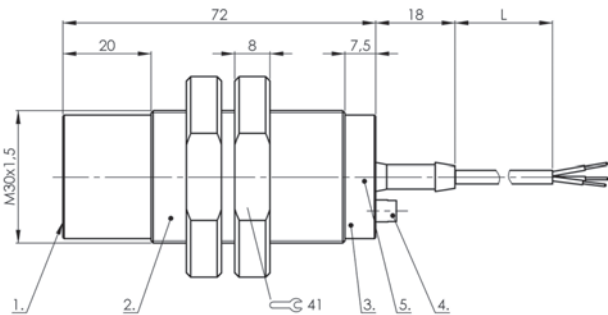
1) Sensing surface, 2) Housing, 3) Cover, 4) Potentiometer, 5) LED Power, 6) LED function indicator

BCS00NH, BCS00MY



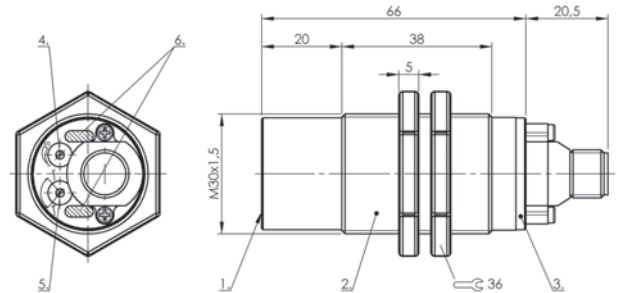
1) Sensing surface, 2) Housing, 3) Cover, 4) Potentiometer, 5) NO or NC selectable, 6) LED function indicator

BCS007F



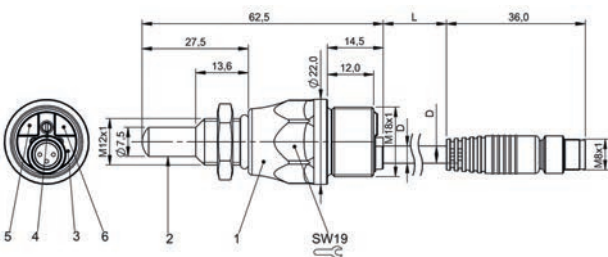
1) Sensing surface, 2) Housing, 3) Cover, 4) Potentiometer, 5) LED function indicator

BCS0077, BCS0078



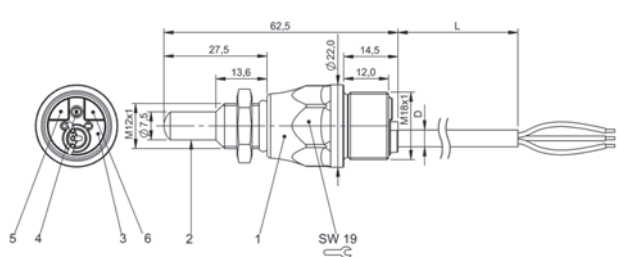
1) Sensing surface, 2) Housing, 3) Cover, 4) Potentiometer, 5) NO or NC selectable, 6) LED function indicator

BCS007L



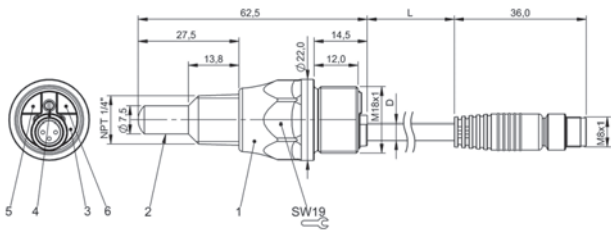
1) Housing, 2) Sensing surface, 3) Cover, 4) Potentiometer, 5) Function indicator yellow, 6) Power indicator green

BCS0105, BCS00ZL



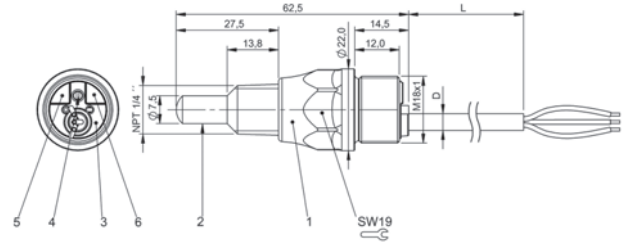
1) Housing, 2) Sensing surface, 3) Cover, 4) Potentiometer, 5) Function indicator yellow, 6) Power indicator green

BCS010L, BCS010Z



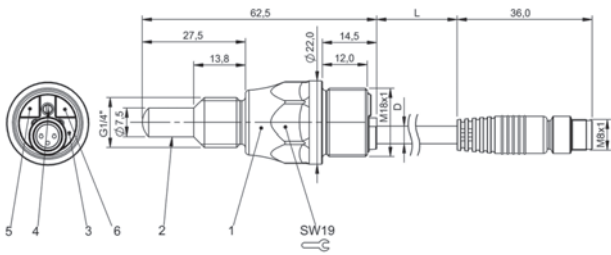
1) Housing, 2) Sensing surface, 3) Cover, 4) Potentiometer, 5) Function indicator yellow, 6) Power indicator green

BCS010F, BCS00ZY



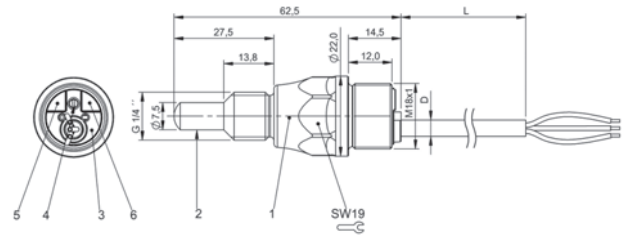
1) Housing, 2) Sensing surface, 3) Cover, 4) Potentiometer, 5) Function indicator yellow, 6) Power indicator green

BCS010N, BCS0104



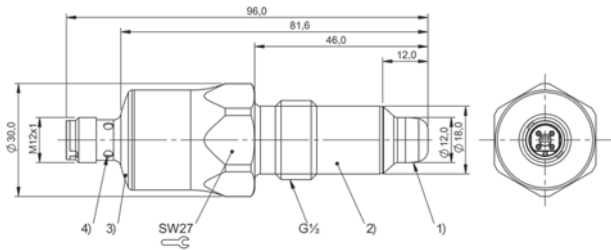
1) Housing, 2) Sensing surface, 3) Cover, 4) Potentiometer, 5) Function indicator yellow, 6) Power indicator green

BCS0109, BCS010A, BCS00ZR



1) Housing, 2) Sensing surface, 3) Cover, 4) Potentiometer, 5) Function indicator yellow, 6) Power indicator green

BCS010M, BCS0103



1) Sensing surface, 2) Housing, 3) Cover, 4) LED function indicator

BCS011E, BCS011L, BCS011J, BCS011K, BCS011F, BCS011H



	BCS0010 BCS G04T4D-XXS10C-EP02-GZ01-002	BCS0012 BCS G06T4B-XXS15C-EP02-GZ01-002	
Dimension	Ø 4 x 29 mm	Ø 6.5 x 18 mm	
Series	G04	G06	
Thread (A)	—	—	
Installation	for flush mounting	for flush mounting	
Connection	Cable with connector, Special connector-Special connector, 2.00 m, PUR	Cable with connector, Special connector-Special connector, 2.00 m, PUR	
Interface	Special interface	Special interface	
Range	0.1...1 mm	0.1...1.5 mm	
Sensitivity	adjustable on base unit	adjustable on base unit	
Housing material	Stainless steel (1.4301)	Stainless steel (1.4301)	
Material sensing surface	PTFE	PTFE	
Ambient temperature	-30...80 °C	-30...80 °C	
Approval/Conformity	CE, cULus	CE, cULus	
Protection degree	IP67	IP67	
Productview	Page 340	Page 340	



	BCS0013 BCS G06T4B-XXS30G-EP02-GZ01-002	BCS0016 BCS G10T4B-XXS40C-EP02-GZ01-002	BCS0017 BCS G10T4C-XXS80G-EP02-GZ01-002	BCS0011 BCS M05T4C-XXS10C-EP02-GZ01-002
	Ø 6.5 x 19 mm	Ø 10 x 20 mm	Ø 10 x 24 mm	Ø 5 x 29 mm
	G06	G10	G10	M05
	—	—	—	M5x0.5
	non-flush	for flush mounting	non-flush	for flush mounting
	Cable with connector, Special connector-Special connector, 2.00 m, PUR	Cable with connector, Special connector-Special connector, 2.00 m, PUR	Cable with connector, Special connector-Special connector, 2.00 m, PUR	Cable with connector, Special connector-Special connector, 2.00 m, PUR
	Special interface	Special interface	Special interface	Special interface
	0.1...3 mm	0.1...4 mm	1...8 mm	0.1...1 mm
	adjustable on base unit	adjustable on base unit	adjustable on base unit	adjustable on base unit
	Stainless steel (1.4301)	Stainless steel (1.4301)	Stainless steel (1.4301)	Stainless steel (1.4301)
	PTFE	PTFE	PTFE	PTFE
	-30...80 °C	-30...80 °C	-30...80 °C	-30...80 °C
	CE, cULus	CE, cULus	CE, cULus	CE, cULus
	IP67	IP67	IP67	IP67
	Page 340	Page 340	Page 340	Page 340



	BCS0014 BCS M08T4C-XXS15C-EP02-GZ01-002	BCS0015 BCS M08T4C1-XXS30G-EP02-GZ01-002	
Dimension	Ø 8 x 25 mm	Ø 8 x 28 mm	
Series	M08	M08	
Thread (A)	M8x1	M8x1	
Installation	for flush mounting	non-flush	
Connection	Cable with connector, Special connector-Special connector, 2.00 m, PUR	Cable with connector, Special connector-Special connector, 2.00 m, PUR	
Interface	Special interface	Special interface	
Range	0.1...1.5 mm	0.1...3 mm	
Sensitivity	adjustable on base unit	adjustable on base unit	
Housing material	Stainless steel (1.4301)	Stainless steel (1.4301)	
Material sensing surface	PTFE	PTFE	
Ambient temperature	-30...80 °C	-30...80 °C	
Approval/Conformity	CE, cULus	CE, cULus	
Protection degree	IP67	IP67	
Productview	Page 340	Page 340	



	BCS0019 BCS M12T4D1-XXS80G-EP02-GZ01-002	BCS001A BCS D18T403-XXS30C-EP02-GZ01-002	BCS001C BCS D18T404-XXS50C-EP02-GZ01-002	BCS001F BCS D22T405-XXS10C-EP02-GZ01-002
	Ø 12 x 34 mm	Ø 18 x 2.5 mm	Ø 18 x 4 mm	Ø 22 x 4 mm
	M12	D18	D18	D22
	M12x1	—	—	—
	non-flush	for flush mounting	for flush mounting	for flush mounting
	Cable with connector, Special connector-Special connector, 2.00 m, PUR	Cable with connector, Special connector-Special connector, 2.00 m, PVC	Cable with connector, Special connector-Special connector, 2.00 m, PUR	Cable with connector, Special connector-Special connector, 2.00 m, PUR
	Special interface	Special interface	Special interface	Special interface
	1...8 mm	0.1...3 mm	1...5 mm	1...10 mm
	adjustable on base unit	adjustable on base unit	adjustable on base unit	adjustable on base unit
	Stainless steel (1.4301)	Stainless steel (1.4301)	Stainless steel (1.4301)	Stainless steel (1.4301)
	PTFE	PTFE	PTFE	PTFE
	-30...80 °C	-30...70 °C	-30...80 °C	-30...80 °C
	CE, cULus	CE, cULus	CE, cULus	CE, cULus
	IP67	IP66	IP66	IP66
	Page 341	Page 341	Page 341	Page 341



	BCS001H BCS D22T408-XXS10C-EP02-GZ01-002		
Dimension	Ø 22 x 10 mm		
Series	D22		
Thread (A)	—		
Installation	for flush mounting		
Connection	Cable with connector, Special connector-Special connector, 2.00 m, PUR		
Interface	Special interface		
Range	1...10 mm		
Sensitivity	adjustable on base unit		
Housing material	Stainless steel (1.4301)		
Material sensing surface	PTFE		
Ambient temperature	-30...80 °C		
Approval/Conformity	CE, cULus		
Protection degree	IP66		
Productview	Page 341		

Sensors

RFID

Machine Vision and Optical Identification

Human Machine Interfaces

Systems

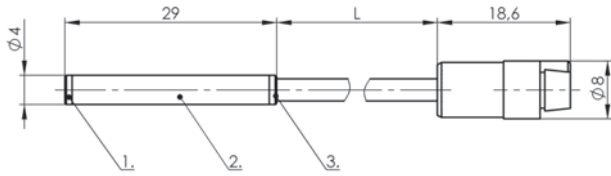
Safety

Industrial Networking

Power Supply

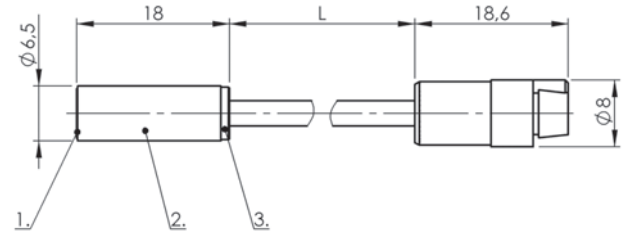
Connectivity

Accessories



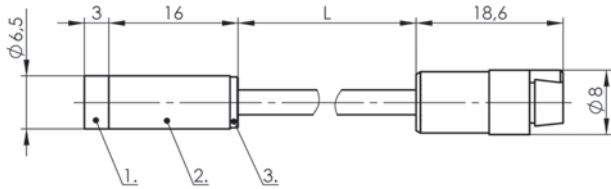
1) Sensing surface, 2) Housing, 3) Cover

BCS0010



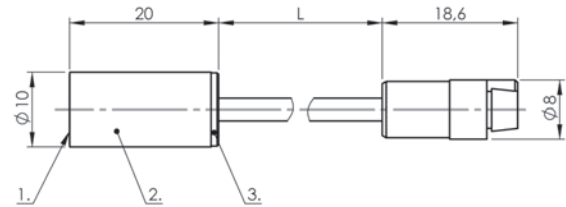
1) Sensing surface, 2) Housing, 3) Cover

BCS0012



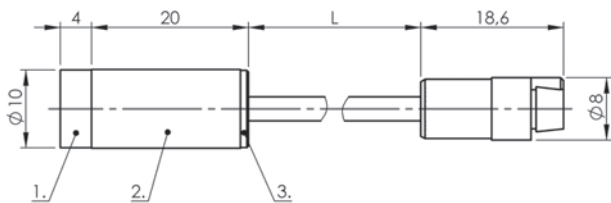
1) Sensing surface, 2) Housing, 3) Cover

BCS0013



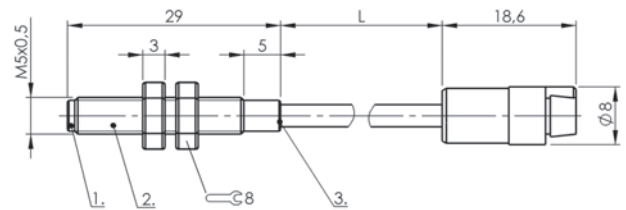
1) Sensing surface, 2) Housing, 3) Cover

BCS0016



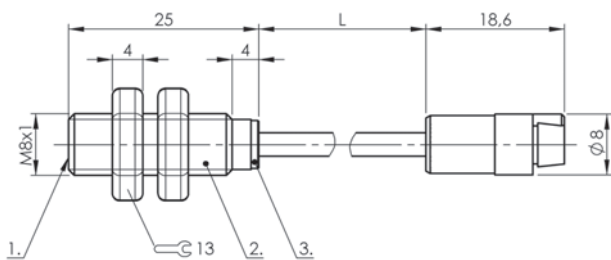
1) Sensing surface, 2) Housing, 3) Cover

BCS0017



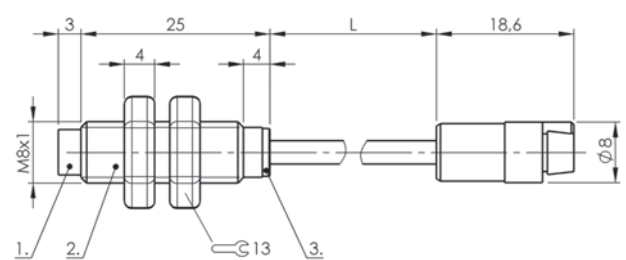
1) Sensing surface, 2) Housing, 3) Cover

BCS0011



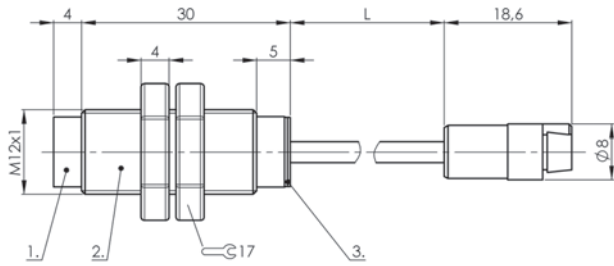
1) Sensing surface, 2) Housing, 3) Cover

BCS0014



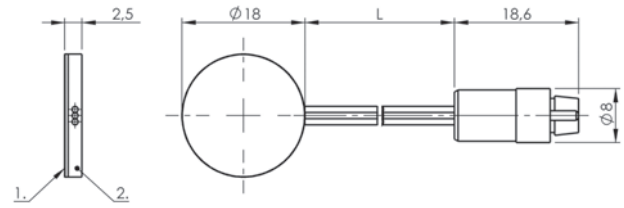
1) Sensing surface, 2) Housing, 3) Cover

BCS0015



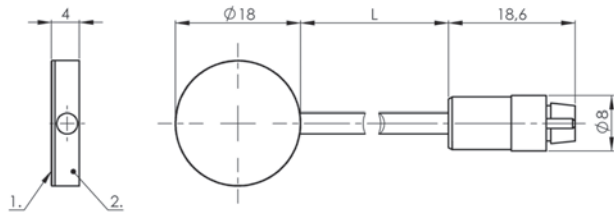
1) Sensing surface, 2) Housing, 3) Cover

BCS0019



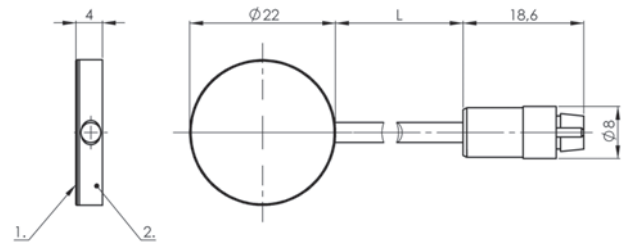
1) Sensing surface, 2) Housing

BCS001A



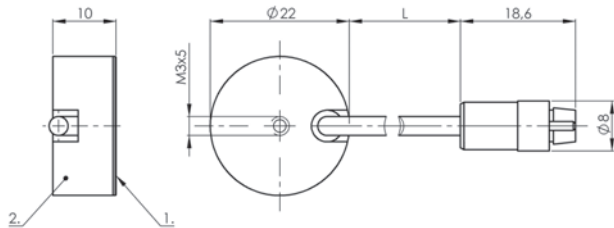
1) Sensing surface, 2) Housing

BCS001C



1) Sensing surface, 2) Housing

BCS001F



1) Sensing surface, 2) Housing

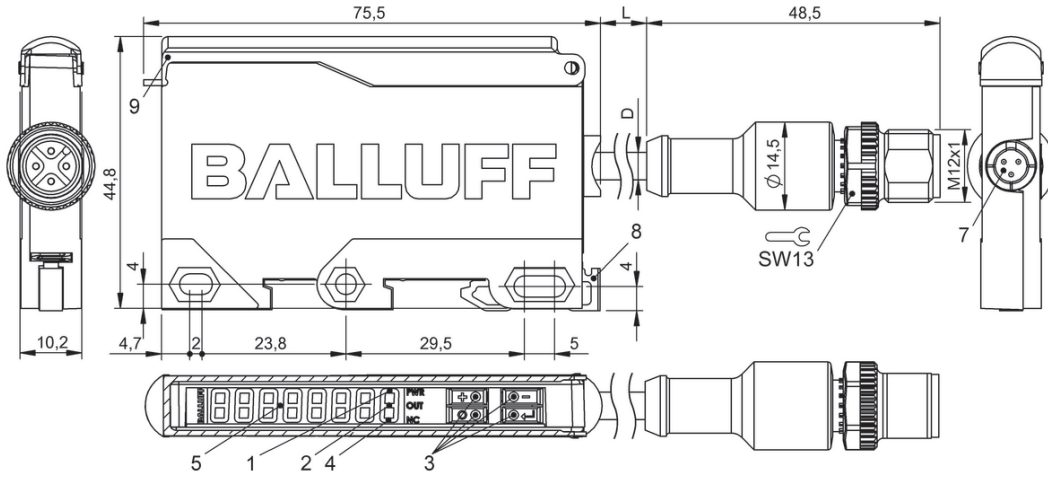
BCS001H



PNP/NPN normally open/normally closed programmable	BAE00LC BAE SA-CS-027-YI-BP00,3-GS04		
Analog, voltage 0...10 V/current 4...20 mA		BAE00KJ BAE SA-CS-026-YP-BP02	
Dimension	10.5 x 45 x 75.5 mm	10.5 x 45 x 75.5 mm	
Connection	Cable with connector, M12x1 connector, 4-pin, 0.30 m, PUR	Cable, 2.00 m, PUR	
Switching frequency	50 Hz	100 Hz	
Interface	IO-Link 1.1	—	
Housing material	PBT	PBT	
Ambient temperature	-10...70 °C	-10...70 °C	
Operating voltage U _b	18...30 VDC	15...30 VDC	
Approval/Conformity	CE, IO-Link, cULus	CE, cULus	
Protection degree	IP40	IP40	
Time function	On/off delay time programmable	On/off delay time programmable	
Productview	Page 344	Page 344	

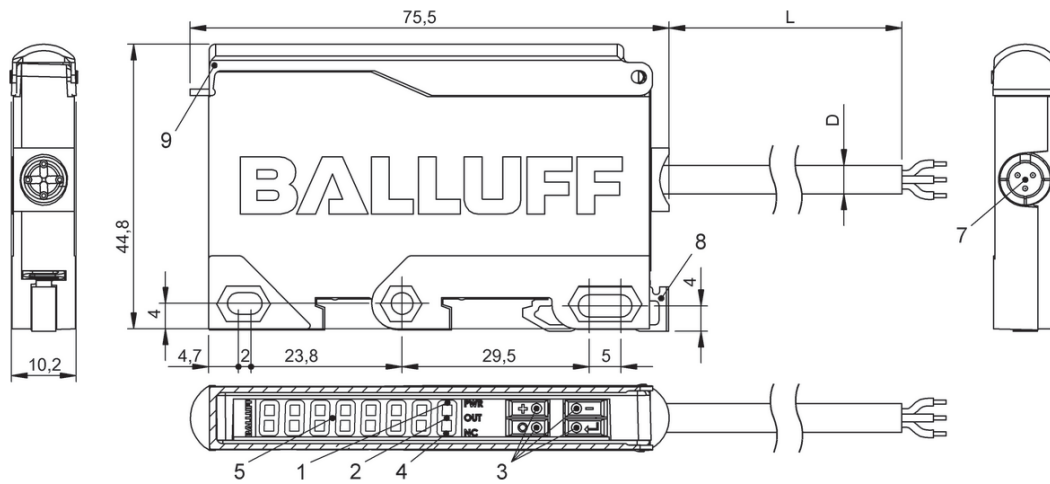


	BAE00LA BAE SA-CS-026-YP-BP00,3-GS04	BAE00KH BAE SA-CS-025-YP-BP02	BAE00L9 BAE SA-CS-025-YP-BP00,3-GS04	
	10.5 x 45 x 75.5 mm	10.5 x 45 x 75.5 mm	10.5 x 45 x 75.5 mm	
	Cable with connector, M12x1, 0.30 m, PUR	Cable, 2.00 m, PUR	Cable with connector, M12x1, 0.30 m, PUR	
	100 Hz	100 Hz	100 Hz	
	—	—	—	
	PBT	PBT	PBT	
	-10...70 °C	-10...70 °C	-10...70 °C	
	15...30 VDC	12...30 VDC	12...30 VDC	
	CE, cULus	CE, cULus	CE, cULus	
	IP40	IP40	IP40	
	On/off delay time programmable	—	—	
	Page 344	Page 345	Page 345	



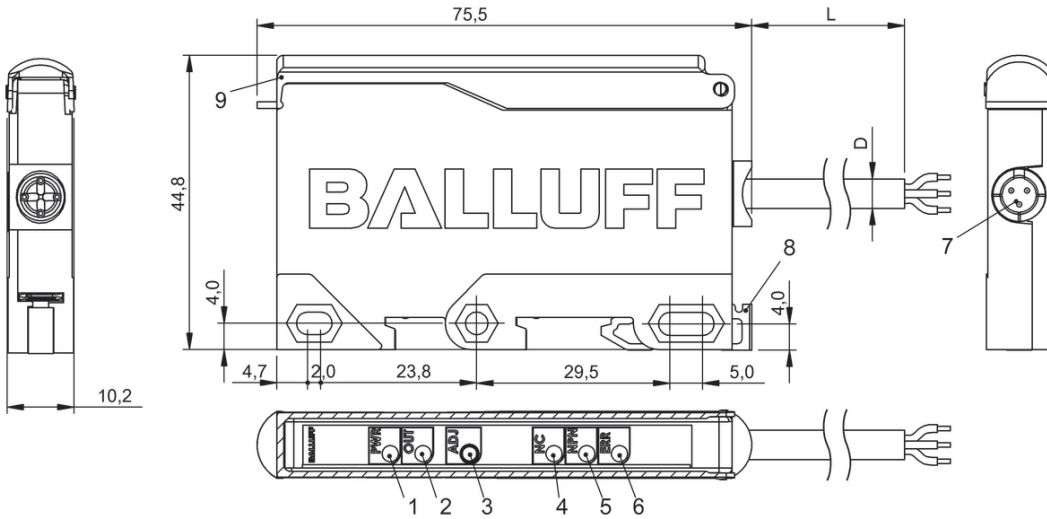
1) LED Power, 2) LED function indicator, 3) 4x operating keys, 4) LED N.C. function active, 5) 7x seven-segment display, 7) Plug connection sensor, 8) DIN rail mount 35mm, 9) Flap

BAE00LC, BAE00LA



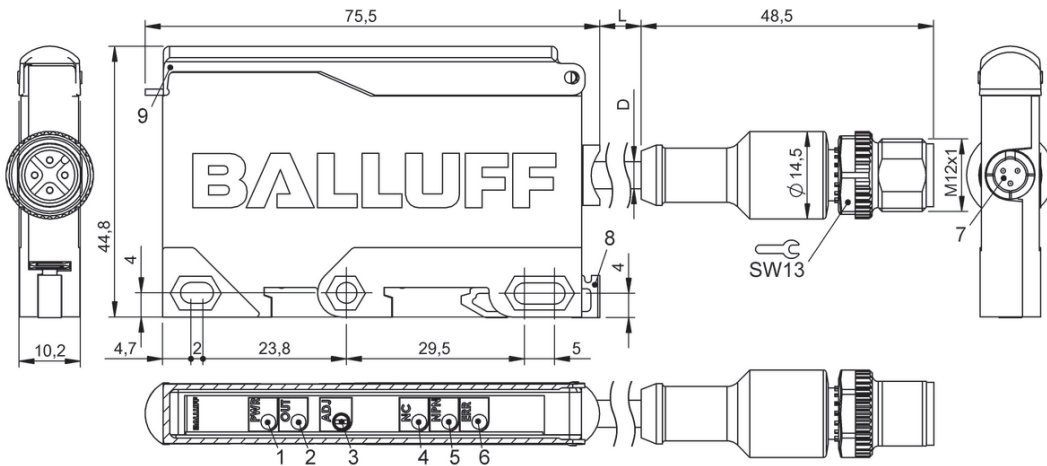
1) LED Power, 2) LED function indicator, 3) 4x operating keys, 4) LED N.C. function active, 5) 7x seven-segment display, 7) Plug connection sensor, 8) DIN rail mount 35mm, 9) Flap

BAE00KJ



1) LED Power, 2) LED function indicator, 3) Sn, 4) LED N.C. function active, 5) Switching stage NPN, active, 6) LED Error, 7) Plug connection sensor, 8) DIN rail mount 35mm, 9) Flap

BAE00KH



1) LED Power, 2) LED function indicator, 3) Sn, 4) LED N.C. function active, 5) Switching stage NPN, active, 6) LED Error, 7) Plug connection sensor, 8) DIN rail mount 35mm, 9) Flap

BAE00L9

Do you need more details? Our Product Finder at www.balluff.com provides you with product-specific information, including technical drawings, data sheets, user guides and more for each individual product. All items are available for download.



Normally open		BCS000K BCS M18KM3-U0T80G-BV02	
Normally closed		BCS000J BCS M18KM3-U0T80G-BV02	
Analog, current falling on approach			
With sensor amplifier	BCS013E BCS Z094401-XXS20B-SZ02-T07		
Dimension	Ø 18 x 38.5 mm	Ø 18 x 84 mm	
Series	Z09	M18	
Thread (A)	M12x1	M18x1	
Installation	for flush mounting	non-flush	
Connection	Connector-triaxial plug	Cable, 2.00 m, PVC	
Switching frequency	5 Hz	40 Hz	
Interface	Special interface	—	
Range	0.1...2 mm	0...6.5 mm	
Sensitivity	adjustable on base unit	Switching distance adjustable	
Housing material	Stainless steel (1.4104)	PBT	
Material sensing surface	Stainless steel (1.4301) epoxy	PBT	
Ambient temperature	0...180 °C	-25...80 °C	
Pressure rating max.	150 bar	—	
Operating voltage U _b	—	20...250 VDC/20...250 VAC	
Approval/Conformity	CE	CE	
Protection degree	IP68	IP67	
Productview	Page 352	Page 352	



	BCW0001 BCW M18B4M1-ICM80C-DV02			
		BCS00A3 BCS S10T401-XXSFNC-SZ02-T07	BCS00A5 BCS S10T403-XXSFNC-SZ02-T07	BCS00A1 BCS M18T4H1-XXS10H-SZ02-T08
	Ø 18 x 70 mm	Ø 18 x 61 mm	Ø 18 x 61 mm	Ø 18 x 65 mm
	M18	S10	S10	M18
	M18x1	M18x1	J 3/8" NPTF	M18x1
	for flush mounting	non-flush	non-flush	non-flush
	Cable, 2.00 m, PVC	Connector, Special connector-Special connector	Connector, Special connector-Special connector	Connector, Special connector-Special connector
	100 Hz	5 Hz	100 Hz	50 Hz
	—	Special interface	Special interface	Special interface
	0...8 mm	—	—	1...10 mm
	—	adjustable on base unit	adjustable on base unit	adjustable on base unit
	Stainless steel	Stainless steel (1.4301)	Stainless steel (1.4301)	Stainless steel (1.4301)
	PBT	PTFE	PTFE	PTFE
	10...55 °C	-10...180 °C	-10...180 °C	-180...250 °C
	—	6 bar	6 bar	—
	12...35 VDC	—	—	—
	CE, cULus	CE	CE	CE
	IP67	IP68	IP68	IP66
	Page 352	Page 352	Page 353	Page 352

Sensors

RFID

Machine Vision and Optical Identification

Human Machine Interfaces

Systems

Safety

Industrial Networking

Power Supply

Connectivity

Accessories



PNP normally open/normally closed	BCS00W7 BCS G20L4Q-PAC10C-EV03-D03		
Normally open		BCS000W BCS M30KN2-UST15G-AV02	
Normally closed		BCS000U BCS M30KN2-UOT15G-AV02	
With sensor amplifier			
Dimension	Ø 20 x 81 mm	Ø 30 x 99 mm	
Series	G20	M30	
Thread (A)	—	M30x1.5	
Installation	for flush mounting	non-flush	
Connection	Cable, 3.00 m, PVC	Cable, 2.00 m, PVC	
Switching frequency	100 Hz	100 Hz	
Interface	—	—	
Range	1.5...10 mm	0...12.1 mm	
Sensitivity	Switching distance adjustable	Switching distance adjustable	
Housing material	Stainless steel (1.4301)	PBT	
Material sensing surface	LCP	PBT	
Ambient temperature	-25...70 °C	-25...70 °C	
Pressure rating max.	—	—	
Operating voltage U_b	10...30 VDC	20...250 VDC/20...250 VAC	
Approval/Conformity	CE	CE	
Protection degree	IP65	IP65	
Productview	Page 352	Page 352	



PNP normally open	BCS006H BCS S01T401-PSCFNG-KM16-T02	BCS00A6 BCS S03T401-PSCFNH-KM16-T02	
PNP normally closed	BCS006J BCS S01T401-POCFNG-KM16-T02		
NPN normally closed		BCS00A9 BCS S03T401-NOCFNH-KM16-T02	
Dimension	54.8 x 48.5 x 106 mm	54.8 x 48.5 x 106 mm	
Series	S01	S03	
Thread (A)	M18x1	J 3/8" NPTF	
Installation	non-flush	non-flush	
Connection	Clamping terminal	Clamping terminal	
Switching frequency	5 Hz	100 Hz	
Interface	—	—	
Range	—	—	
Sensitivity	media-dependent, adjustable	media-dependent, adjustable	
Housing material	Stainless steel (1.4305)	Stainless steel (1.4305)	
Material sensing surface	PTFE	PTFE	
Ambient temperature	-30...125 °C	-30...125 °C	
Pressure rating max.	10 bar	10 bar	
Operating voltage U _b	10...35 VDC	10...35 VDC	
Approval/Conformity	CE	CE	
Protection degree	IP67	IP67	
Productview	Page 353	Page 353	



BCS006M BCS S02T401-PSCFNG-KM16-T02			
54.8 x 48.5 x 106 mm			
S02			
R 3/8"			
non-flush			
Clamping terminal			
5 Hz			
—			
—			
media-dependent, adjustable			
Stainless steel (1.4305)			
PTFE			
-30...125 °C			
10 bar			
10...35 VDC			
CE			
IP67			
Page 353			

Sensors

RFID

Machine Vision and
Optical Identification

Human Machine
Interfaces

Systems

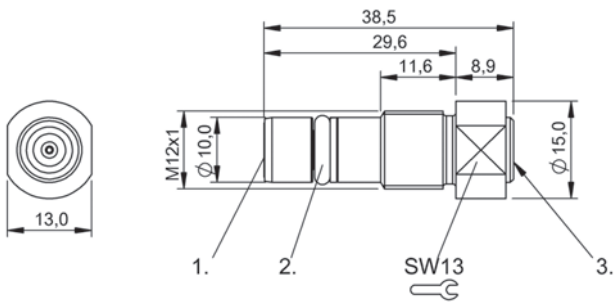
Safety

Industrial Networking

Power Supply

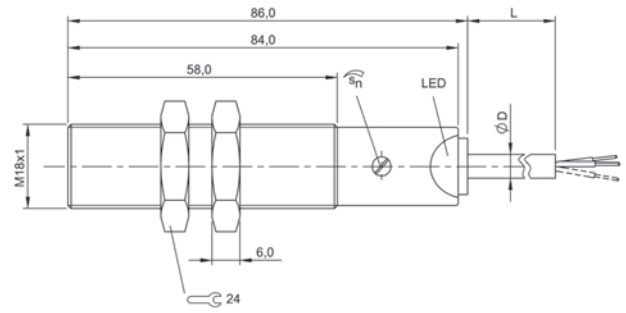
Connectivity

Accessories

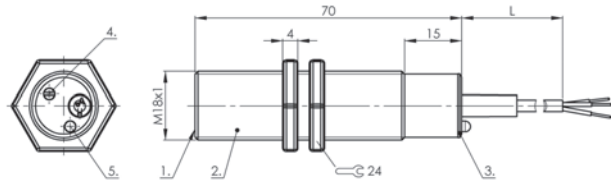


1) Sensing surface, 2) O-Ring with thrust ring, 3) Triaxial connector

BCS013E

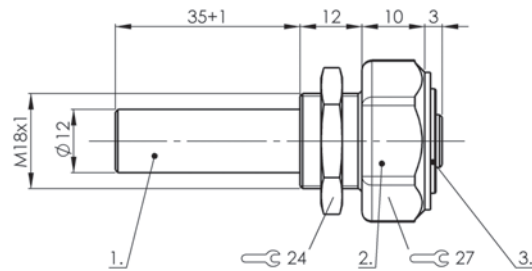


BCS000K, BCS000J



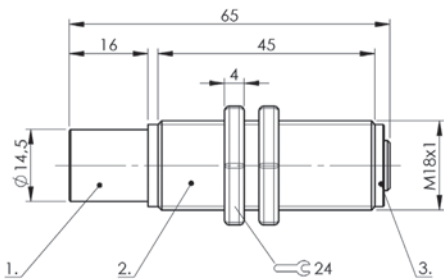
1) Sensing surface, 2) Housing, 3) Cover, 4) Potentiometer, 5) LED function indicator

BCW0001



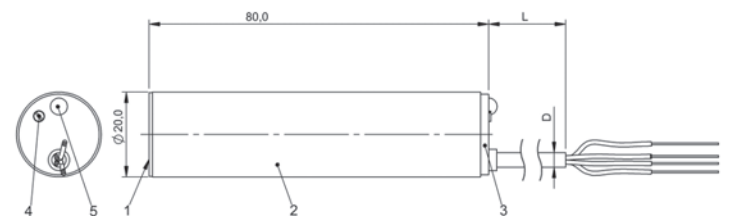
1) Sensing surface, 2) Housing, 3) Cover

BCS00A3



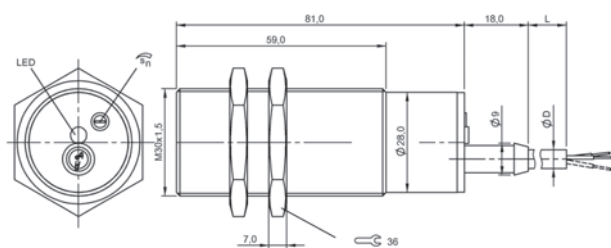
1) Sensing surface, 2) Housing, 3) Cover

BCS00A1

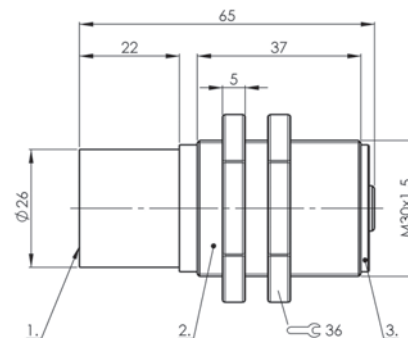


1) Sensing surface, 2) Housing, 3) Cover, 4) Potentiometer, 5) Function indicator yellow

BCS00W7

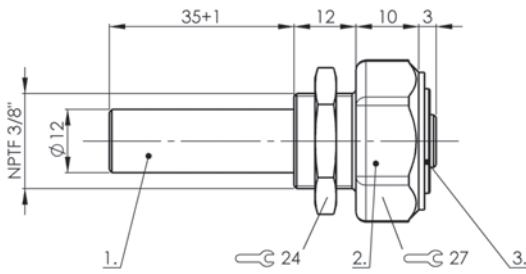


BCS000W, BCS000U



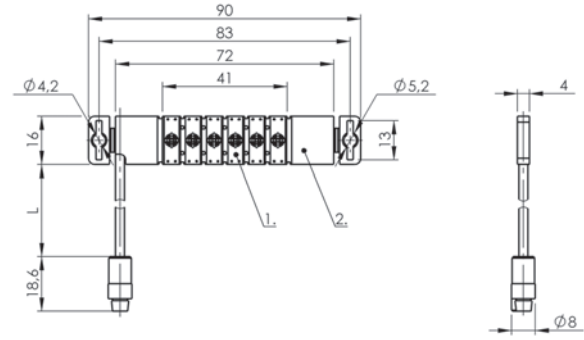
1) Sensing surface, 2) Housing, 3) Cover

BCS00A2



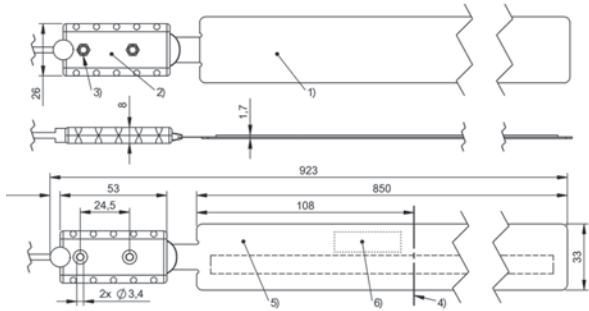
1) Sensing surface, 2) Housing, 3) Cover

BCS00A5



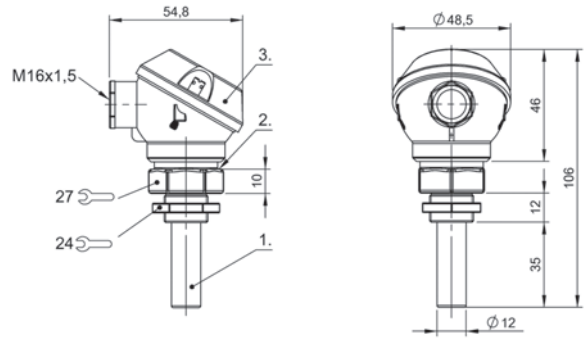
1) Sensing surface, 2) Housing

BCS000Y



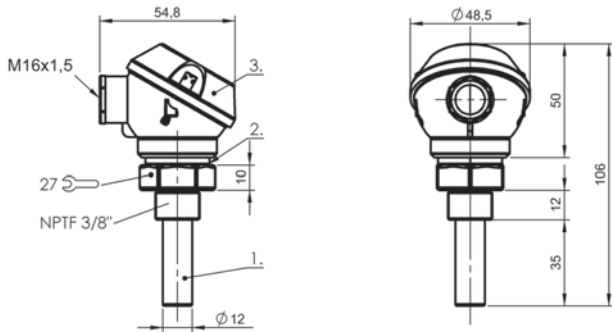
1) Length of stick-on electronics, 2) Measuring length min., 3) Length of electronics box, 4) Hole spacing, 5) Cable length, 6) Width of stick-on electrode

BCW0004



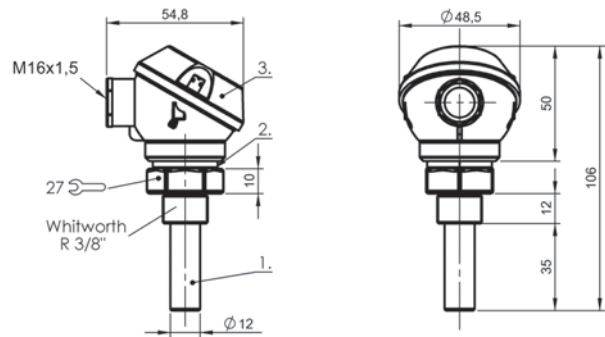
1) Sensing surface, 2) Housing, 3) Cover

BCS006H, BCS006J



1) Sensing surface, 2) Housing, 3) Cover

BCS00A9, BCS00A6



1) Sensing surface, 2) Housing, 3) Cover

BCS006M